

Product Brochure For W114

3 Angles Welding Aluminium Clamp Set - AWC-3

60°, 90° & 120° Clamps & 0 - 12.5mm Clamping Thickness

1 x Clamp Body & Set of 3 Clamp Blocks



ORDER CODE:	W114
MODEL:	AWC-3
Type:	3 Angle Clamp Set
Clamping Capacity:	0 - 12.5mm
Locking Handle - Pivot Movement:	~
Clamp Bar - Pivot Movement:	~
Plunger Travel (mm):	~
Throat Depth (mm):	~
Opening (mm):	~
Size:	~
Quantity Per Pack (No.):	~
Clamping Force (kg):	Finger Thumb Lock
Over all Length (mm):	~
Nett Weight (kg):	0.38

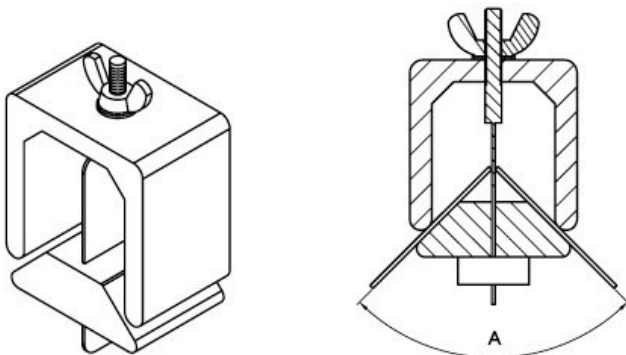


Description

Securely fix panels at 60°, 90° and 120° angles.
 Magnetic fixture allows panels to be positioned before being clamped in place.
 Unique self-centering design aids fast alignment of panels in clamp.

Features

- Aluminium body with steel screw
- Secures panels with thickness up to 12.5mm
- Magnetic face either side to assist aligning



A=60,90,120

Product Brochure For W114

Specific Features



Angled View

Recommended Accessories

W112
 Micro Welding Steel Clamp Set

W113
 Butt Welding Aluminium & Steel
 Clamp Set

C0015
 Ratchet F Clamp

W1025
 4 In One Utility Clamping
 System



W1026
 4 In One Utility Clamping
 System

W1003
 Rogue Welding Jacket

W1005
 Snake Magnet & Spring Clamp

W1007
 Adjust-O Magnet Square -
 Heavy Duty



Product Brochure For W114

W1012
 Adjustable Corner Clamping
 Plier Set



W1013
 Corner Clamping Plier



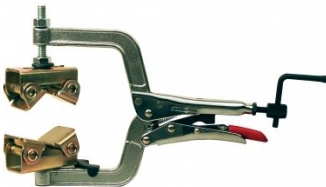
W1019
 Corner Clamp



W1014
 Pipe Plier - Large



W1015
 Pipe Plier



W1016
 Locking C-Clamp - Round Tip



W1017
 Locking C-Clamp - Swivel Tip



W1020
 Magnetic Level



W1022
 MagTab Magnet



W1023
 MagTab AL Magnet

