

Product Brochure For W113

Butt Welding Aluminium & Steel Clamp Set - BWC-4

0 - 3mm Clamping Thickness

Set of 4 Clamps

Ex GST

\$29.00

Inc GST

\$31.90



ORDER CODE:	W113
MODEL:	BWC-4
Type:	Butt Welding Clamp Set
Clamping Capacity:	0 - 3mm
Locking Handle - Pivot Movement:	~
Clamp Bar - Pivot Movement:	~
Plunger Travel (mm):	~
Throat Depth (mm):	16
Opening (mm):	~
Size:	16 x 30mm Clamp Area
Quantity Per Pack (No.):	~
Clamping Force (kg):	Finger Thumb Lock
Over all Length (mm):	~
Nett Weight (kg):	0.38

METALMASTER



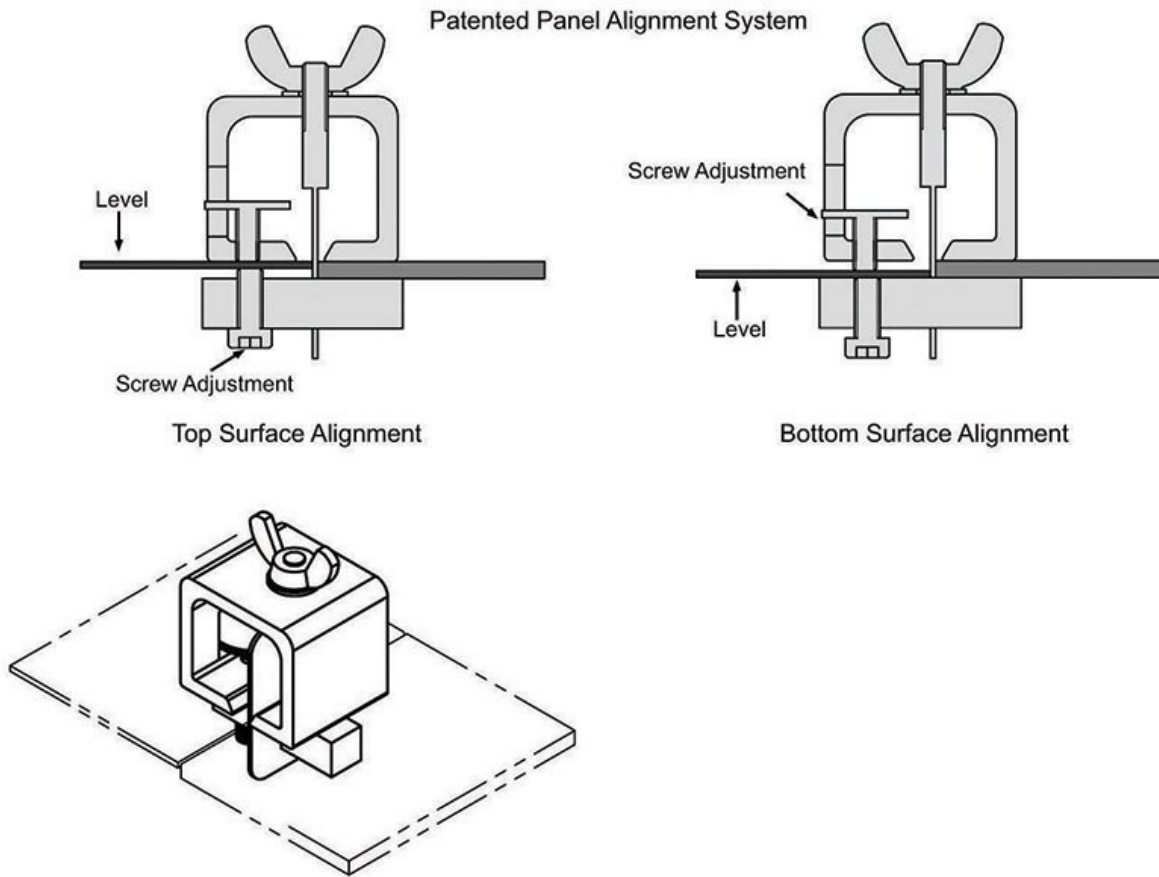
Description

A simple and efficient way of ensuring a perfect welded butt joint.
 Holds panels edge to edge with almost no gap - allowing full penetration of the weld.
 Patented level adjustment allows accurate joining of dissimilar thicknesses of materials.
 Level adjustment allows flat alignment of top or bottom surface of panels.

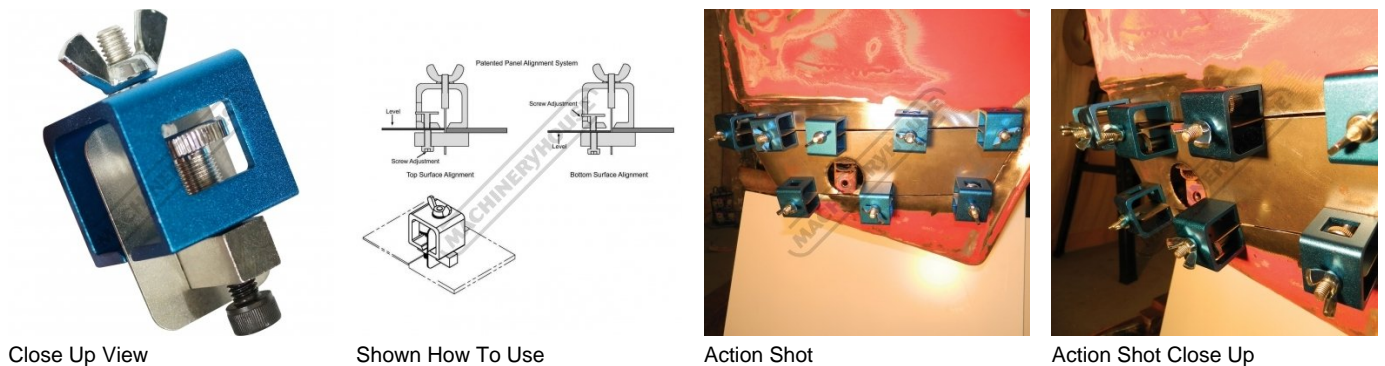
Features

- Manufactured from steel with an aluminium body
- Level adjusting screws between 0 to 3mm either side
- Knurled adjusting screw head

Product Brochure For W113



Specific Features



Product Brochure For W113



Action Shot Car

Recommended Accessories

W112
 Micro Welding Steel Clamp Set



C0015
 Ratchet F Clamp



W1025
 4 In One Utility Clamping System



W1026
 4 In One Utility Clamping System



W1003
 Rogue Welding Jacket



W1005
 Snake Magnet & Spring Clamp



W1007
 Adjust-O Magnet Square - Heavy Duty



W1012
 Adjustable Corner Clamping Plier Set



Product Brochure For W113

W1013
 Corner Clamping Plier



W1019
 Corner Clamp



W1014
 Pipe Plier - Large



W1015
 Pipe Plier



W1016
 Locking C-Clamp - Round Tip



W1017
 Locking C-Clamp - Swivel Tip



W1020
 Magnetic Level



W1022
 MagTab Magnet



W1023
 MagTab AL Magnet

