

Product Brochure For W1028

## 4 In One Utility Clamping System - UF65M-C3

165mm Clamping Capacity  
**460kg Clamping Force**

**Limited Stock**

**Ex GST**  
**\$70.00**

**Inc GST**  
**\$77.00**



|                                  |               |
|----------------------------------|---------------|
| ORDER CODE:                      | W1028         |
| MODEL:                           | UF65M-C3      |
| Type:                            | Utility Clamp |
| Clamping Capacity:               | 165mm         |
| Locking Handle - Pivot Movement: | ~             |
| Clamp Bar - Pivot Movement:      | ~             |
| Plunger Travel (mm):             | ~             |
| Throat Depth (mm):               | 120           |
| Opening (mm):                    | ~             |
| Size:                            | ~             |
| Quantity Per Pack (No.):         | ~             |
| Clamping Force (kg):             | 460kg         |
| Over all Length (mm):            | ~             |
| Nett Weight (kg):                | 1.3           |



### Description

ONE CLAMP FOUR FUNCTIONS:

The most versatile & economical sliding arm clamp available. Each clamp comes complete with a V-Pad and Extender Block. The threaded hole on the base simply allows the attachment to screw & lock into position.

Sliding Arm Clamps with the Removable / Reversible Clamp Arm and Unique Accessories

Professional Quality at an Affordable Price.

### Features

- Made of heat treated alloy steel and nickel/chrome plated for strength and durability
- Sliding arm clamps are 10x faster than conventional C-clamps
- The exclusive V-Pad enable pipe clamping
- Reverse the clamp arm and attachment to create a spreader clamp
- The extender block allows step over clamping with ease

### Includes

- The three piece 4-in-1 Clamp Kit includes:
- Sliding Arm Clamp
- Extended Block
- V-Pad

Product Brochure For W1028

**Specific Features**



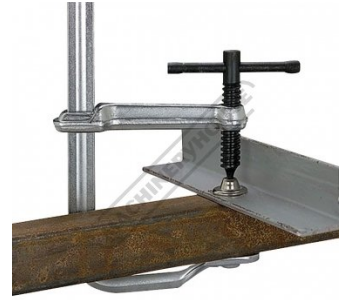
V Pad Jaw



With Extender Block Jaw



Clamping With Step Over



Clamping Steel



Clamping Steel Pipe



Shown As Spreader

**Recommended Accessories**

W1026

4 In One Utility Clamping System

W1025

4 In One Utility Clamping System

C0015

Ratchet F Clamp

W1003

Rogue Welding Jacket



Product Brochure For W1028

**W1005**  
 Snake Magnet & Spring Clamp



**W1007**  
 Adjust-O Magnet Square - Heavy Duty



**W1012**  
 Adjustable Corner Clamping Plier Set



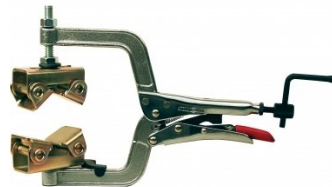
**W1013**  
 Corner Clamping Plier



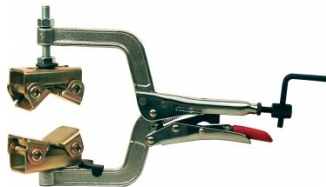
**W1019**  
 Corner Clamp



**W1014**  
 Pipe Plier - Large



**W1015**  
 Pipe Plier



**W1016**  
 Locking C-Clamp - Round Tip



**W1017**  
 Locking C-Clamp - Swivel Tip



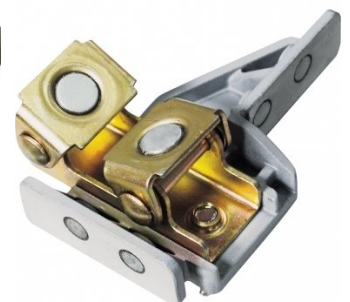
**W1020**  
 Magnetic Level



**W1022**  
 MagTab Magnet



**W1023**  
 MagTab AL Magnet



Product Brochure For W1028

---

W112

Micro Welding Steel Clamp Set



W113

Butt Welding Aluminium & Steel  
Clamp Set

