

Product Brochure For W1019

Corner Clamp - UDL365

76mm throat
 50mm Clamping Capacity

Limited Stock

Ex GST
\$80.00

Inc GST
\$88.00



ORDER CODE:	W1019
MODEL:	UDL365
Type:	Corner Clamp
Clamping Capacity:	50mm (B)
Locking Handle - Pivot Movement:	~
Clamp Bar - Pivot Movement:	~
Plunger Travel (mm):	~
Throat Depth (mm):	7 (A)
Opening (mm):	~
Size:	~
Quantity Per Pack (No.):	~
Clamping Force (kg):	~
Over all Length (mm):	241 (C)
Nett Weight (kg):	0.8



Description

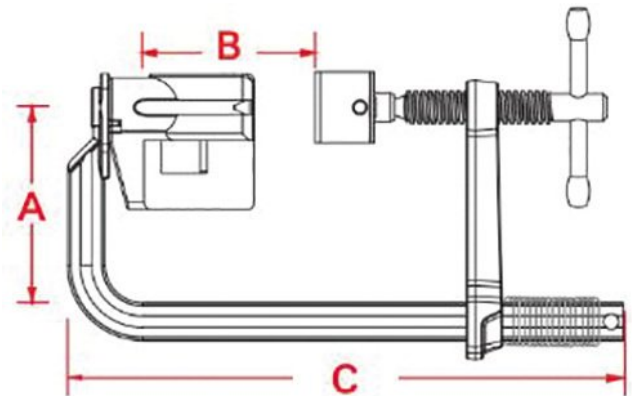
Fast, precise and affordable clamping tools for corners and T-joints.

Features

- A quick way to hold work pieces at 90°
- Capable of holding a 3-axis workpiece by adding a Pipe Pliers
- Wide opening offers unobstructed welding access

Includes

- 1 x Corner clamp



Product Brochure For W1019

Specific Features



Shown With Optional Pipe Plier

Recommended Accessories

W07990
BuildPro Round Stock Plier

W1015
Pipe Plier

W1014
Pipe Plier - Large

W1013
Corner Clamping Plier



W1012
Adjustable Corner Clamping Plier Set

W1016
Locking C-Clamp - Round Tip

W1017
Locking C-Clamp - Swivel Tip

W1020
Magnetic Level



Product Brochure For W1019

W1022
 MagTab Magnet



W1023
 MagTab AL Magnet



W112
 Micro Welding Steel Clamp Set



W113
 Butt Welding Aluminium & Steel Clamp Set



C0015
 Ratchet F Clamp



W07970
 BuildPro Magspring Clamp



W07971
 BuildPro Magspring Clamp



W1028
 4 In One Utility Clamping System



W1026
 4 In One Utility Clamping System



W1025
 4 In One Utility Clamping System



W1005
 Snake Magnet & Spring Clamp



W1007
 Adjust-O Magnet Square - Heavy Duty

