

Product Brochure For W07869

## WT16-HB500 - Half Block

Suits tables with  $\varnothing$ 16mm holes  
 500 x 100 x 50mm

**Ex GST**  
**\$495.00**

**Inc GST**  
**\$544.50**



ORDER CODE:	W07869
MODEL:	WT16-RB500
Type:	Riser Block - 5 Face
Suits Table Hole Size (Diameter):	$\varnothing$ 16mm
Size:	500 x 100 x 50mm
Plate Thickness (mm):	12
Nett Weight (kg):	~



### Description

The perfect addition to complement our METALMASTER M16 Pro Series welding table to use as a table riser, bridge or table extension. The modular design makes it easy to set-up and tear down for your job at hand whether it is big or small. Increase precision & consistency for all your welding tasks to save you time and money.

### Features

- Heavy 12mm thick steel construction
- Plasma nitriding surface finish for increased hardness, rust & spatter resistance
- $\varnothing$ 16mm Precision bored fixing holes at 50mm centres to match our M16 Pro Series tables
- 4 sided CNC machined surfaces
- Precision CNC machined surfaces to ensure high tolerances

Product Brochure For W07869

Specific Features



Dimensions

Rear View

Recommended Accessories

W07809

1200 x 1200mm M16 Pro Series Welding Table



W07804

2000 x 1000mm M16 Pro Series Welding Table



W07811

2000 x 1000mm M16 Pro Series Welding Table



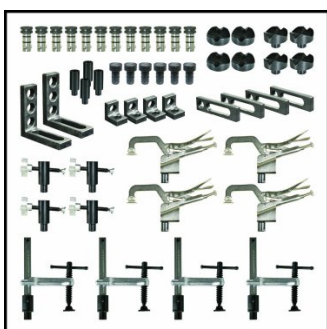
W07812

2400 x 1200mm M16 Pro Series Welding Table



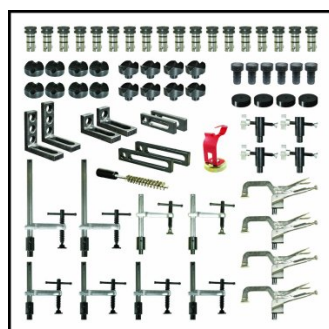
W07814

52pc Pro Series Welding Table Clamp Kit



W07815

70pc Pro Series Welding Table Clamp Kit



W07816

93pc Pro Series Welding Table Clamp Kit

