

Product Brochure For W07841

Right Angle Bracket / Stop - WT16-AB943

90 x 40 x 30mm, 1 Hole, 1 Slot
 Suits Ø16mm Welding Tables Holes

Ex GST
\$29.00

Inc GST
\$31.90

ORDER CODE:	W07841
MODEL:	WT16-AB943
Type:	Right Angle Bracket / Stop
Suits Table Hole Diameter (Ø (mm)):	Ø16mm
Size (mm):	~
Slot Length (mm):	66
Nett Weight (kg):	0.15



Description

These precision machined angle brackets hold materials at 90° on any welding table with 16mm fixturing holes. They can be used as a stop, table extension or a platform to allow for infinite adjustments in fixturing.

Features

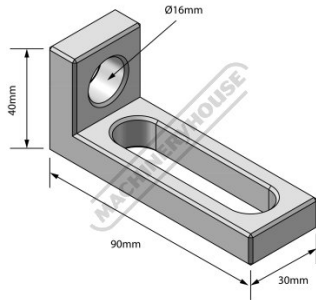
- 16mm precision bored hole
- Precision machined slot
- 12mm thick plate

Product Brochure For W07841

Specific Features



Angle Bracket 90x40x30mm



Dimensions



Shown on Welding Table

Recommended Accessories

W08280

42pc Welding Table Clamping & Fixturing Kit

W08301

180 Degree Welding Table Clamp with T-Bar Handle

W08304

90 Degree Welding Table Clamp with T-Bar Handle

W08307

45 Degree Welding Table Clamp with T-Bar Handle



W08372

Countersink Ball Lock Pin 28 x 50mm

W08370

Ball Lock Pin 28 x 50mm

W08371

Ball Lock Pin 28 x 75mm

W08360

Cross Type 90 / 120° V-Pad



Product Brochure For W07841

W08340
 Straight Bar Stop



W08341
 Straight Bar Stop



W08342
 Straight Bar Stop



W08343
 Straight Bar Stop



W08320
 Right Angle Bracket / Stop



W08321
 Right Angle Bracket / Stop



W08325
 Right Angle Bracket / Stop



W08330
 L Bracket



W08331
 L Bracket



W08335
 T Bracket



W08329
 Adjustable Angle Bracket



W08326
 Angle Bracket Set



Product Brochure For W07841

W08327
Angle Bracket Set



W08350
Riser Block



W08351
Riser Block



W08255
2000 x 1000mm M28 Pro Series
Welding Table



W08257
2400 x 1200mm M28 Pro Series
Welding Table



W08260
3000 x 1500mm M28 Pro Series
Welding Table

