

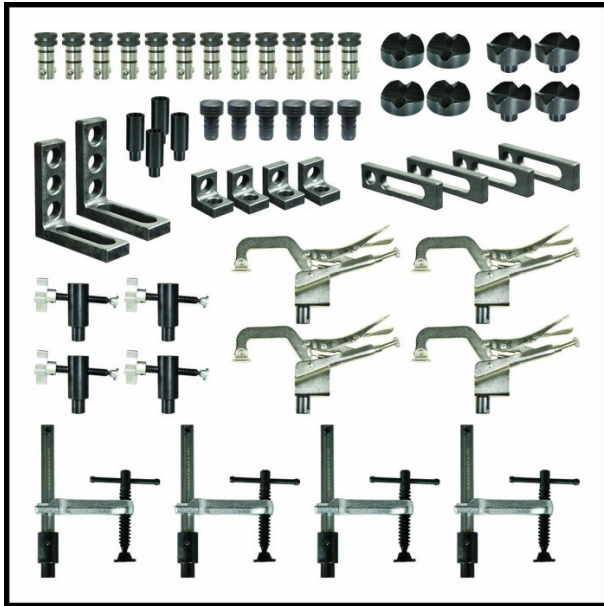
Product Brochure For W07814

52pc Pro Series Welding Table Clamp Kit - WT16-KIT52

Suits Metalmaster M16 Pro Series Tables
 Suits Ø16mm Welding Tables Holes

Package Deal

Ex GST Inc GST
\$690.00 \$759.00



Package Contents - SAVE \$220.00 (Inc)

4 x W07829 - Welding Table Clamp WT16-C815	\$27.50
4 x W07836 - Welding Table Rapid Clamp WT16-RC6	\$22.00
4 x W07840 - Right Angle Bracket / Stop WT16-AB443	\$27.50
2 x W07844 - Right Angle Bracket / Stop WT16-AB993	\$38.50
4 x W07862 - Straight Bar Stop WT16-SB115	\$27.50
12 x W07891 - Ball Lock Pin 16 x 24mm WT16-BLP24	\$24.20
1 x W08504 - Locating Pin 16 x 40mm SCLP-16	\$26.40
1 x W08506 - Magnetic Cross Type 90 / 135° V-Pad (4 Piece Pack) SCVM-90135	\$27.50
1 x W08507 - Cross Type 90 / 135° V-Pad (4 Piece Pack) SCVM-135	\$27.50
2 x W08508 - 50mm Side Clamp (2 Piece Pack) SDC-50	\$42.90
1 x W08517 - 50mm x M12 Multi-Purpose Riser/Stops (Spigot) SDC-50 - 4pc Pack	\$26.40
Normal Price (Inc):	\$979.00

ORDER CODE:	W07814
MODEL:	WT16-KIT52
Suits Table Hole Size (Ø):	16mm
Suit Table Thickness:	12-16mm
Quantity Per Pack (No.):	52
Nett Weight (kg):	~



Description

Our 52pc Pro Series welding table kit offer you great versatility for all of your welding & fixturing needs. Tailored to suit our M16 Pro Series welding tables with 16mm fixturing holes making it ideal addition to your welding table. With a total of 52 pieces, it is an affordable & functional kit for flat steel, round & square tubing applications. This clamping kit is perfect for the set-up of a multitude of welding tasks & aids in the ability to work comfortably, safely and efficiently for improved work quality and productivity.

Features

- Suits Metalmaster M16 Pro Series tables with 12mm table thickness with Ø16mm holes
- 52-piece kit that all works in combination with each other to solve many clamping applications
- Adaptable to suit flat, square & round material

Includes

- 4pcs of 80mm Throat Welding Table Clamps
- 4pc of Side Clamps
- 4pcs of 63mm Rapid Clamps
- 4pcs of Magnetic Cross Type V-Pads (90, 135°)
- 4pcs of Cross Type V-Pads (90, 135°)
- 6pcs of Locating Pins
- 4pcs of 50mm Multi-Purpose Stops
- 12pcs of 16 x 24mm Ball Lock Pins
- 4pcs of 40 x 40 x 30mm Angle Brackets
- 2pcs of 90 x 90 x 30mm Angle Brackets
- 4pcs of 115mm Straight Bar Stops

Product Brochure For W07814

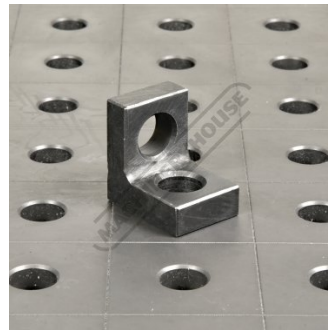
Specific Features



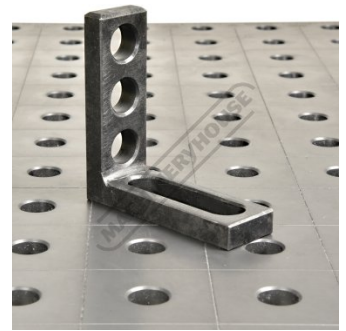
150mm Clamp Height



Welding Table Rapid Clamp



40 x 40 x 30mm



90 x 90 x 30mm



Straight Bar Stop



Ball Lock Pin 16 x 24mm



Locating Pin 16 x 40mm



Magnetic Cross Type 90 / 135° V-Pad



Cross Type 90 / 135° V-Pad



Side Clamps



50mm Material Stop

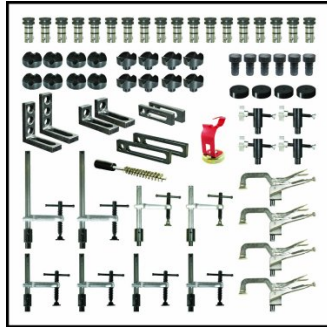
Product Brochure For W07814

Recommended Accessories

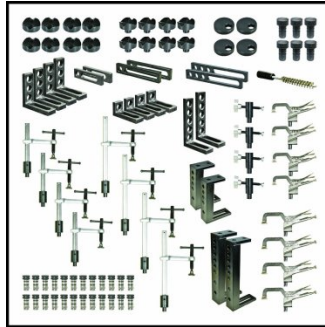
W07820
 Table & Accessory Lifting Kit



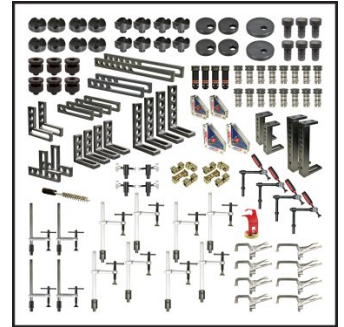
W07815
 70pc Pro Series Welding Table
 Clamp Kit



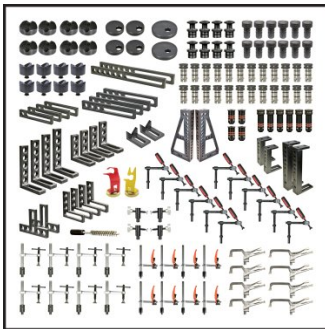
W07816
 93pc Pro Series Welding Table
 Clamp Kit



W07817
 120pc Pro Series Welding Table
 Clamp Kit



W07818
 151pc Pro Series Welding Table
 Clamp Kit



W07806
 800 x 1200mm M16 Pro Series
 Welding Table Top with Pull-out
 Tray



W07806K
 M16 Pro Series Mobile Welding
 Station



W07809
 1200 x 1200mm M16 Pro Series
 Welding Table



Product Brochure For W07814

W07804

2000 x 1000mm M16 Pro Series
Welding Table

W07811

2000 x 1000mm M16 Pro Series
Welding Table

W07812

2400 x 1200mm M16 Pro Series
Welding Table

