

Product Brochure For W07806K

## M16 Pro Series Mobile Welding Station - WT16-1208K

1200 x 800 x 950mm (LxWxH)  
 Ø16mm Holes



**Package Deal**

Ex GST                      Inc GST  
**\$3,450.00              \$3,795.00**

**Package Contents - SAVE \$607.20 (Inc)**

1 x W08504 - Locating Pin 16 x 40mm SCLP-16	\$26.40
1 x W1091 - Magnetic Swivel V-Pad Clamps WMVP-2M	\$24.20
2 x W1072 - Switchable Multi-Angle Welding Magnet WCM	\$64.90
2 x W1071 - Switchable Multi-Angle Welding Magnet WCM	\$49.50
1 x W10362 - Magnetic MIG Torch Rest MTH-1	\$19.80
1 x W08517 - 50mm x M12 Multi-Purpose Riser/Stops (Spigot)	\$26.40
1 x W08513 - 25mm x M12 Multi-Purpose Riser/Stops (Spigot)	\$22.00
2 x W08508 - 50mm Side Clamp (2 Piece Pack) SDC-50	\$42.90
1 x W08507 - Cross Type 90 / 135° V-Pad (4 Piece Pack)	\$27.50
2 x W08506 - Magnetic Cross Type 90 / 135° V-Pad (4 Piece Pack)	\$27.50
1 x W08505 - 12mm x Ø38mm Magnetic Rest Pad - 4pc Pack	\$27.50
1 x T6890 - Professional Series Mobile Work Station TWS-622	\$1,155.00
10 x W07891 - Ball Lock Pin 16 x 24mm WT16-BLP24	\$24.20
2 x W07863 - Straight Bar Stop WT16-SB150	\$38.50
2 x W07862 - Straight Bar Stop WT16-SB115	\$27.50
2 x W07844 - Right Angle Bracket / Stop WT16-AB993	\$38.50
2 x W07841 - Right Angle Bracket / Stop WT16-AB943	\$31.90
2 x W07837 - Welding Table Rapid Clamp WT16-RC9	\$27.50
2 x W07836 - Welding Table Rapid Clamp WT16-RC6	\$22.00
4 x W07829 - Welding Table Clamp WT16-C815	\$27.50
1 x W07806 - 800 x 1200mm M16 Pro Series Welding Table Top	\$1,980.00

**Normal Price (Inc): \$4,402.20**

ORDER CODE:	W07806K
MODEL:	WT16-1208K
Table Hole Diameter (Ø):	16
Table Top Finish (Type):	Plasma Nitriding Coating
Table Top Size (mm):	800 x 1200
Grid Pattern (mm/Type):	50 x 50 / Standard
Table Height (mm):	950
Table Side Height (mm):	50 / 65
Top Plate Thickness (mm):	12
Table Slots (mm):	~
Static Load Capacity (kg):	400
Total W.L.L. (kg):	~
Number of Legs (No.):	~
Nett Weight (kg):	256

### Description

The Metalmaster M16 Pro Series Welding Table, paired with the TWS-622 Mobile Work Station and 69 Piece Fixturing Kit, is the ultimate mobile welding solution.

The 800 x 1200mm Welding Table features a welded S355 12mm thick steel frame, CNC-machined for precise flatness. Featuring Ø16mm holes with a 50 x 50mm hole pattern, it offers versatile clamping options for fixtures. Solid steel ribs and 50mm high sides ensure rigidity, while the plasma nitriding coating resists spatter, wear, and rust.

The Mobile Work Station offers ten drawers, adjustable shelving, hanging hooks, and side storage, with soft-close drawers, safety locks, foam liners, and oversized caster wheels for easy mobility.

400kg Total Load Capacity

NOTE: Welding Table Requires Fitting to Benchtop  
 A minor fitting process is required to mount the WT16-1208T Welding Table Top onto the TWS-622 Mobile Work Station Benchtop.  
 (Please refer to the downloadable Instruction Manual for easy to follow setup)

## Product Brochure For W07806K

### Features

- WT16-1208T 800 x 1200mm Nitride Steel Welding Table Top
- Tabletop is manufactured from heavy S355 plate steel finished nominal thickness of 12mm
- CNC machined to ensure flatness
- Plasma nitriding surface finish for increased hardness, rust & spatter resistance
- Ø16mm Precision bored fixing holes
- 50 x 50mm hole grid pattern offering a multitude of clamping options
- The kit includes a sheet steel cover for benchtop, pull-out swarf tray, and a hardware pack for mounting to benchtop
- TWS-622 - Professional Series Mobile Work Station
- Maximum storage with adjustable shelving and racks
- Ball bearing slides, drawer latches & anti-slip foam liners on all drawers
- Dual slides on larger drawers for extra weight
- Large handle
- Key lockable
- Brakes on two wheels
- 69-piece Fixturing Kit
- The 69-piece Fixturing Kit is an excellent startup kit, providing all the necessary welding clamps and fixtures to get started on most welding projects

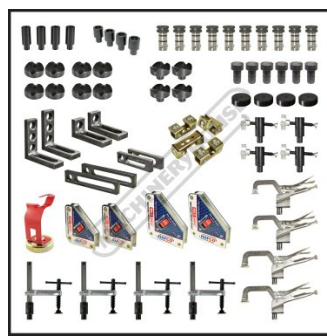
### Includes

- 1 x WT16-1208T Nitride Steel Welding Table Top with Pull-out Tray
- 1 x TWS-622 - Professional Series Mobile Work Station
- 4 x WT16-C815 - Welding Table Clamps
- 2 x WT16-RC6 - Welding Table Rapid Clamps
- 2 x WT16-RC9 - Welding Table Rapid Clamps
- 2 x WT16-AB943 - Right Angle Brackets
- 2 x WT16-AB993 - Right Angle Brackets
- 2 x WT16-SB115 - Straight Bar Stops
- 2 x WT16-SB150 - Straight Bar Stops
- 10 x WT16-BLP24 - Ball Lock Pins 16 x 24mm
- 1 x SCLP-16 - Locating Pin 16 x 40mm
- 1 x SCMP-12 - Magnetic Rest Pad 12mm x Ø38mm - 4pc Pack
- 2 x SCVM-90135 - Magnetic Cross Type 90 / 135° V-Pad (4 Piece Pack)
- 1 x SCV-90135 - Cross Type 90 / 135° V-Pad (4 Piece Pack)
- 2 x SDC-50 - 50mm Side Clamp (2 Piece Pack)
- 1 x W08513 - Weld Clamp Adaptor - 4pc Pack
- 1 x SCA-5016P - 50mm Material Stop (Spigot Type) - 4pc Pack
- 1 x MTH-1 - Magnetic MIG Torch Rest
- 2 x WCM-90HD - Switchable Multi-Angle Welding Magnets
- 2 x WCM-140HD - Switchable Multi-Angle Welding Magnets
- 1 x WMVP-2M - Magnetic Swivel V-Pad Clamps

### Specific Features



WT16-1208T 800 x 1200mm M16 Pro Series Welding Table Top with Pull-out Tray



Includes 69 Piece Fixturing Kit

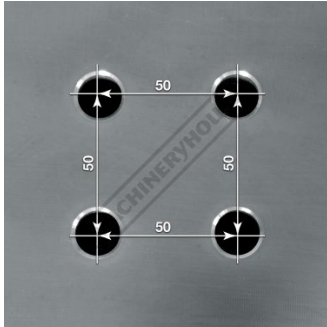


TWS-622 Mobile Workstation



Included 69 Piece Fixing Kit Shown on Table

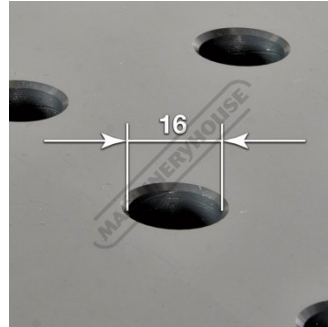
Product Brochure For W07806K



50 x 50mm Hole Centre Pattern



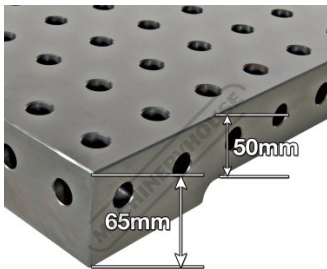
Table Manufactured from Heavy S355 Plate Steel



Ø16mm Diameter Holes



12mm Table Thickness



65mm High Ends with 50mm High Sides



Strengthened by Welded Webbing



Pull Out Welding Splatter Tray



TWS-622 Mobile Workstation - Drawers Open



Protective Drawer Liners



Ball Bearing Slide Drawers



Drawer Latches on each Drawer



Key Lockable



Heavy Duty Push Handle



2 x Swivel Brake Wheels



2 x Fixed Wheels