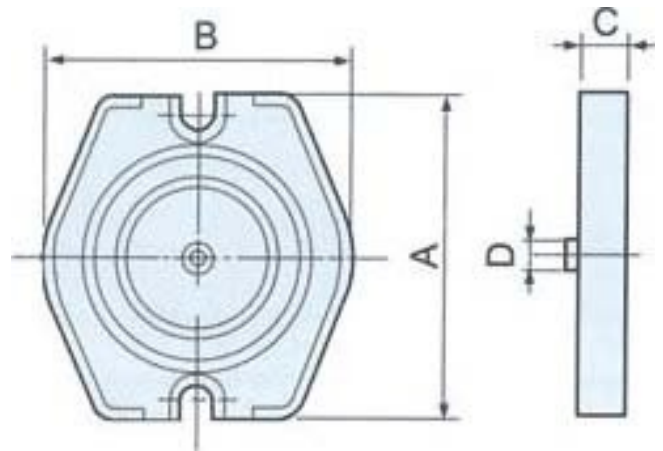


Product Brochure For V337

Mechanical/Hydraulic Machine Vice Base

250mm

ORDER CODE:	V337
Size (mm):	250
A (mm):	460
B (mm):	420
C (mm):	50
Nett Weight (kg):	32



Features

- Swivel Base

Includes

- T-Bolts x 2pcs
- 5/8" Nuts x 2pcs