

Product Brochure For V336

## Safeway Mechanical/Hydraulic Machine Vice - PHV-250

250mm Jaw Width  
 345mm Jaw Opening



ORDER CODE:	V336
MODEL:	PHV-250
C - Jaw Width (mm):	250
Max. - Jaw Opening (mm):	345
F - Jaw Height (mm):	80
Max. Pressure (kgf):	7000
A (mm):	810
B (mm):	320
D (mm):	290
E (mm):	190
G (mm):	110
H (mm):	238
I (mm):	48
J (mm):	139
K (mm):	460
L (mm):	195
M (mm):	320
N (mm):	410
O (mm):	270
P (mm):	920
Q (mm):	815
X (mm):	22
Keyway (W) (mm):	18
Nett Weight (kg):	140

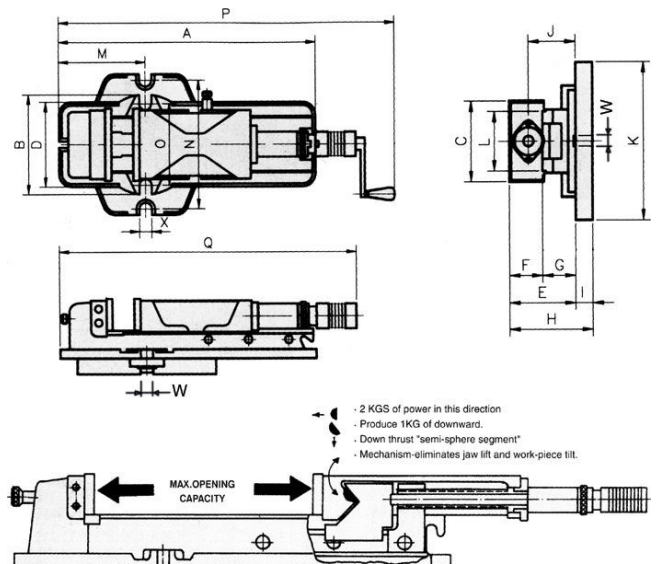


### Description

250mm MECHANICAL/HYDRAULIC MACHINE VICE: Precision manufactured from rigid material - Ductile iron FCD60JIS (equal to GGG60) with 60kg/mm<sup>2</sup> or 80,000 psi tensile strength.  
 ;All Safeway vices are precision ground and the surfaces set to the tolerances set out below. This allows these vices to be used in pairs and multiple configurations.

### Features

- Flame-hardened to HRC 45 to take up wear and maintain accuracy
- The semi-sphere segment eliminates movable jaw lifting and creates a down force of 1kg for every 2kg of clamping force, preventing the work piece from tilting
- The hydraulic cylinder is mounted externally for easy maintenance
- Large clamping range through screw adjustment and 3 pin positions in the base.
- The vise can be used in either a mechanical mode or in a hydraulic mode adjustment and 3 pin positions in the base.
- The vise can be used in



Product Brochure For V336

**Specific Features**



Right View

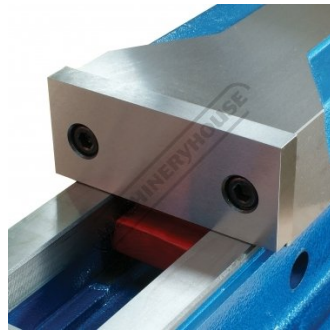
Shown with Vice Pin in 1st Position

Side View Shown with Vice Pin in 3rd Position

Hydraulic Tension with Handle



Knurled Head Lifting Pins



Removable Jaws