

Product Brochure For V332

Safeway Mechanical/Hydraulic Machine Vice - PHV-160

160mm Jaw Width
 310mm Jaw Opening



Description

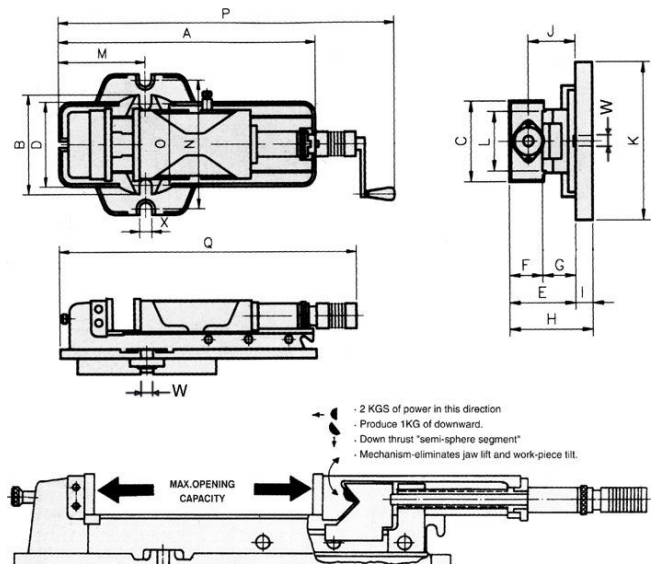
160mm MECHANICAL/HYDRAULIC MACHINE VICE: Precision manufactured from rigid material - Ductile iron FCD60JIS (equal to GGG60) with 60kg/mm² or 80,000 psi tensile strength. All Safeway vices are precision ground and the surfaces set to the tolerances set out below. This allows these vices to be used in pairs and multiple configurations.

Features

- Flame-hardened to HRC 45 to take up wear and maintain accuracy
- The semi-sphere segment eliminates movable jaw lifting and creates a down force of 1kg for every 2kg of clamping force, preventing the work piece from tilting
- The hydraulic cylinder is mounted externally for easy maintenance
- Large clamping range through screw adjustment and 3 pin positions in the base.
- The vise can be used in either a mechanical mode or in a hydraulic mode

Ex GST Inc GST
 \$1,450.00 \$1,595.00

ORDER CODE:	V332
MODEL:	PHV-160
C - Jaw Width (mm):	160
Max. - Jaw Opening (mm):	310
F - Jaw Height (mm):	58
Max. Pressure (kgf):	4000
A (mm):	625
B (mm):	240
D (mm):	205
E (mm):	140
G (mm):	82
H (mm):	179
I (mm):	39
J (mm):	105
K (mm):	340
L (mm):	125
M (mm):	208
N (mm):	300
O (mm):	196
P (mm):	750
Q (mm):	640
X (mm):	18
Keyway (W) (mm):	16
Nett Weight (kg):	57



Product Brochure For V332

Specific Features



Front View



Hydraulic Tension with Handle



Knurled Head Lifting Pins



3 Pin Position Clamping Range



Removable Jaws

Recommended Accessories

V333
 Mechanical/Hydraulic Machine
 Vice Base

V3203
 Safeway Standard Hardened
 Jaws - 160mm

V3204
 Safeway End Mount Hardened
 Jaws - 160mm

V3212
 Safeway Serrated Hardened
 Jaws - 160mm



Product Brochure For V332

V3208

Safeway Vee Hardened Jaw -
160mm

