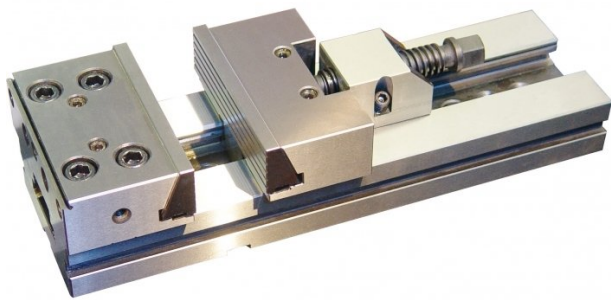


Product Brochure For V312

Modular Machine Vice

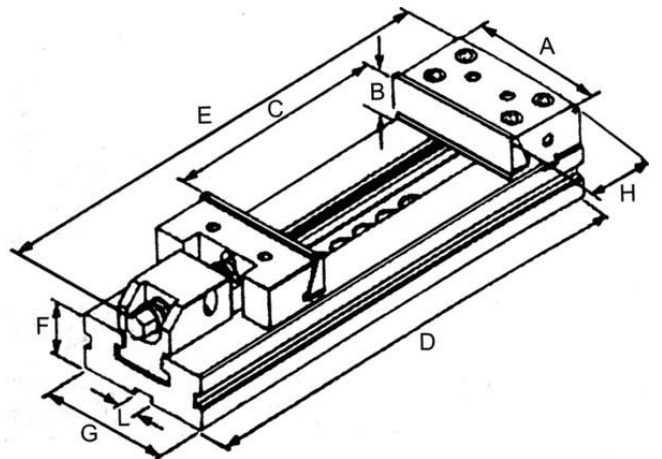
203mm Jaw Width
 300mm Jaw Opening



Back In Stock Soon

| | |
|-------------------|-------------------|
| Ex GST | Inc GST |
| \$1,950.00 | \$2,145.00 |

| | |
|-----------------------|------|
| ORDER CODE: | V312 |
| A - Jaw Width (mm): | 203 |
| C - Jaw Opening (mm): | 300 |
| B - Jaw Height (mm): | 65 |
| D (mm): | 595 |
| E (mm): | 710 |
| F (mm): | 70 |
| G (mm): | 170 |
| H (mm): | 114 |
| Nett Weight (kg): | 70 |



Description

Toolmaster vices are manufactured under rigid quality control. All Toolmaster vices are interchangeable and can be used as matched pairs.

Features

- Hardened and ground steel to HRC60, with high precision
- Keyways are 16mm H7 and are toleranced giving perfect alignment and reducing set up time
- Space saving design allows for maximum use of clamping area

Product Brochure For V312

Recommended Accessories

V3122

Modular Vice Jaws

