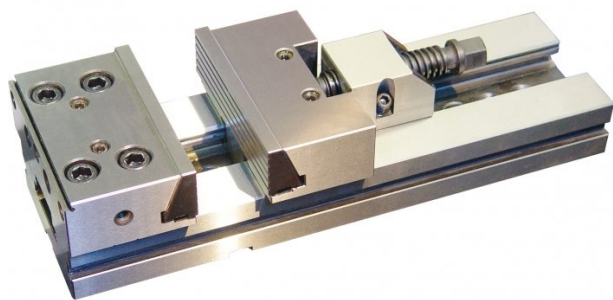


Product Brochure For V311A

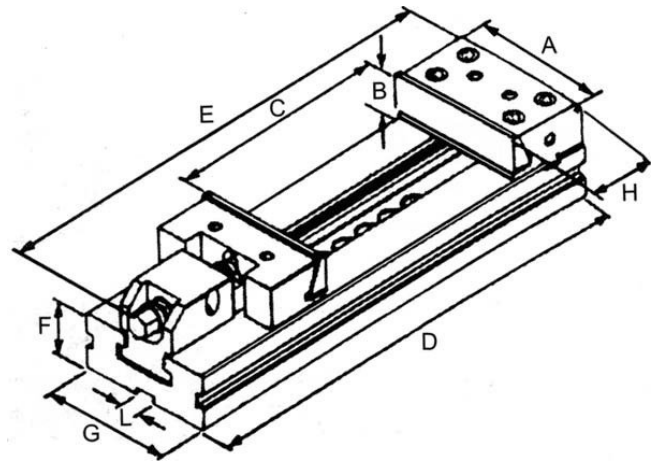
## Modular Machine Vice

152mm Jaw Width  
 300mm Jaw Opening



**Ex GST**                      **Inc GST**  
**\$1,250.00**                  **\$1,375.00**

ORDER CODE:	V311A
A - Jaw Width (mm):	152
C - Jaw Opening (mm):	300
B - Jaw Height (mm):	50
D (mm):	520
E (mm):	600
F (mm):	50
G (mm):	125
H (mm):	90
Nett Weight (kg):	37



### Description

Toolmaster vices are manufactured under rigid quality control. All Toolmaster vices are interchangeable and can be used as matched pairs.

### Features

- Hardened and ground steel to HRC60, with high precision
- Keyways are 16mm H7 and are toleranced giving perfect alignment and reducing set up time
- Space saving design allows for maximum use of clamping area

Product Brochure For V311A

---

**Recommended Accessories**

V3112

Modular Vice Jaws

