

Product Brochure For V1551

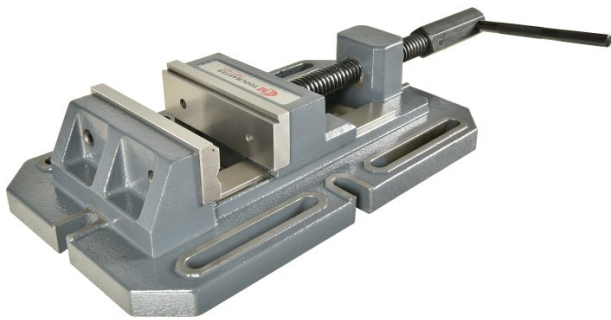
Heavy Duty - Drill Press Vice - TMV-140H

140mm Jaw Width
 150mm Jaw Opening

Ex GST
\$240.00

Inc GST
\$264.00

ORDER CODE:	V1551
MODEL:	TMV-140H
Type:	Heavy Duty Drill Vice
Jaw Width (mm):	140
Jaw Opening (mm):	150
Jaw Depth (mm):	45
Nett Weight (kg):	18



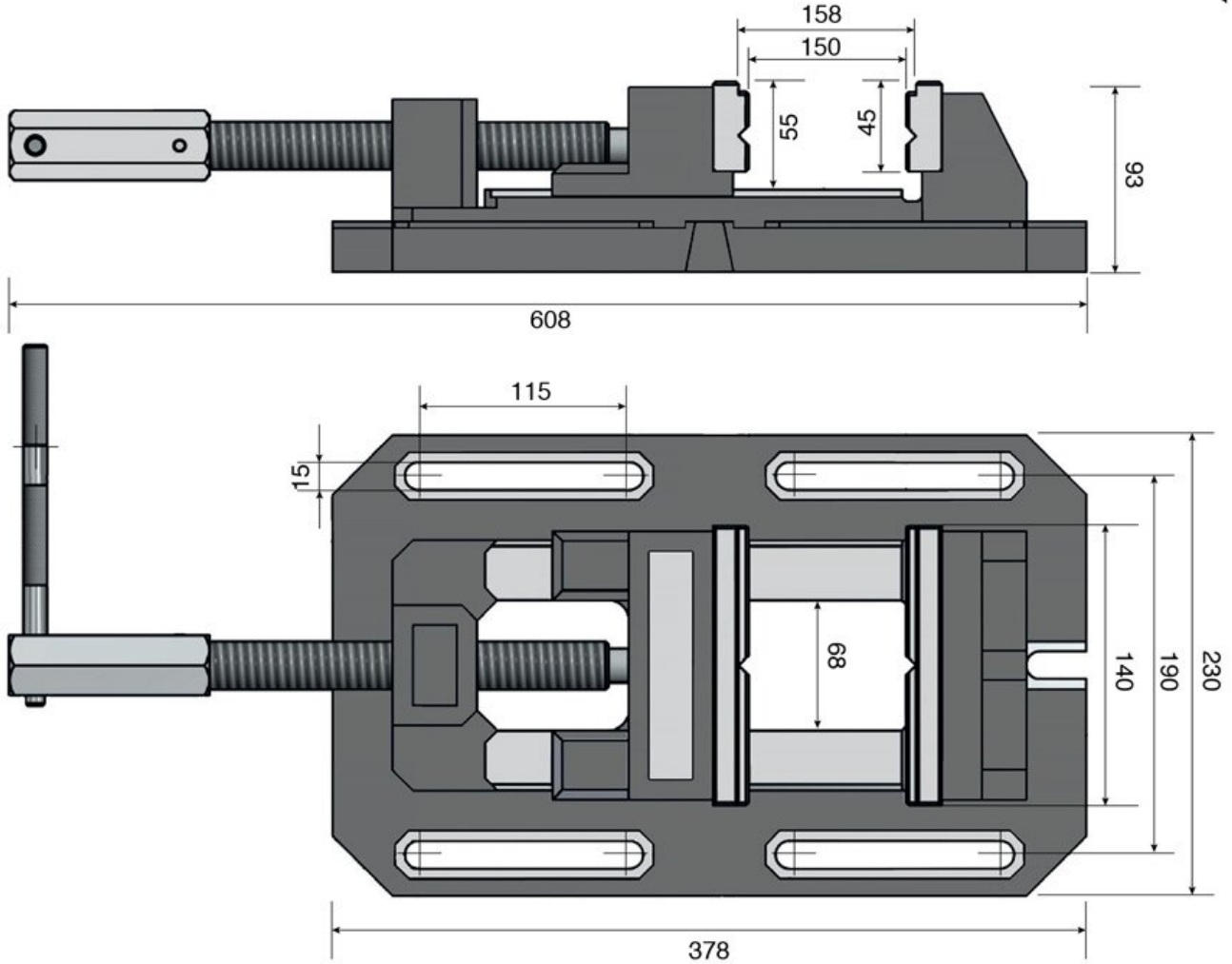
Description

Heavy duty drill vice designed specifically for machine shop or tool room use. The bottom of the base is machined and slots are provided for securing to worktable.

Features

- Heavy-duty cast iron construction
- Precision ground prismatic jaws
- Precision ground base & bed for smooth lateral movement of the jaw
- Jaw guides to prevent tilting
- 140mm jaw width
- 150mm jaw opening
- 45mm jaw height

Product Brochure For V1551



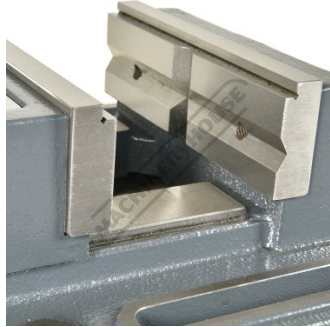
* Dimensions are provided solely for the purpose of the illustration: product tolerance may exhibit variations.

Product Brochure For V1551

Specific Features



Rear View



Jaws

Recommended Accessories

V053

Aluminium Magnetic Soft Jaws

V0537

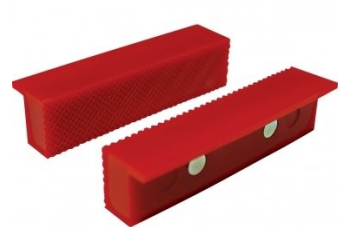
Aluminium Magnetic Soft Jaws

V0534

Aluminium Magnetic Soft Jaws

V054

Plastic Magnetic Soft Jaws



V0544

Plastic Magnetic Soft Jaws

