

Product Brochure For V1441

## Drill Press Vice - TMV-100P

100mm Jaw Width  
 100mm Jaw Opening

**Ex GST**  
**\$95.00**

**Inc GST**  
**\$104.50**

ORDER CODE:	V1441
MODEL:	TMV-100P
Type:	Precision Drill Vice
Jaw Width (mm):	100
Jaw Opening (mm):	100
Jaw Depth (mm):	30
Nett Weight (kg):	5.9



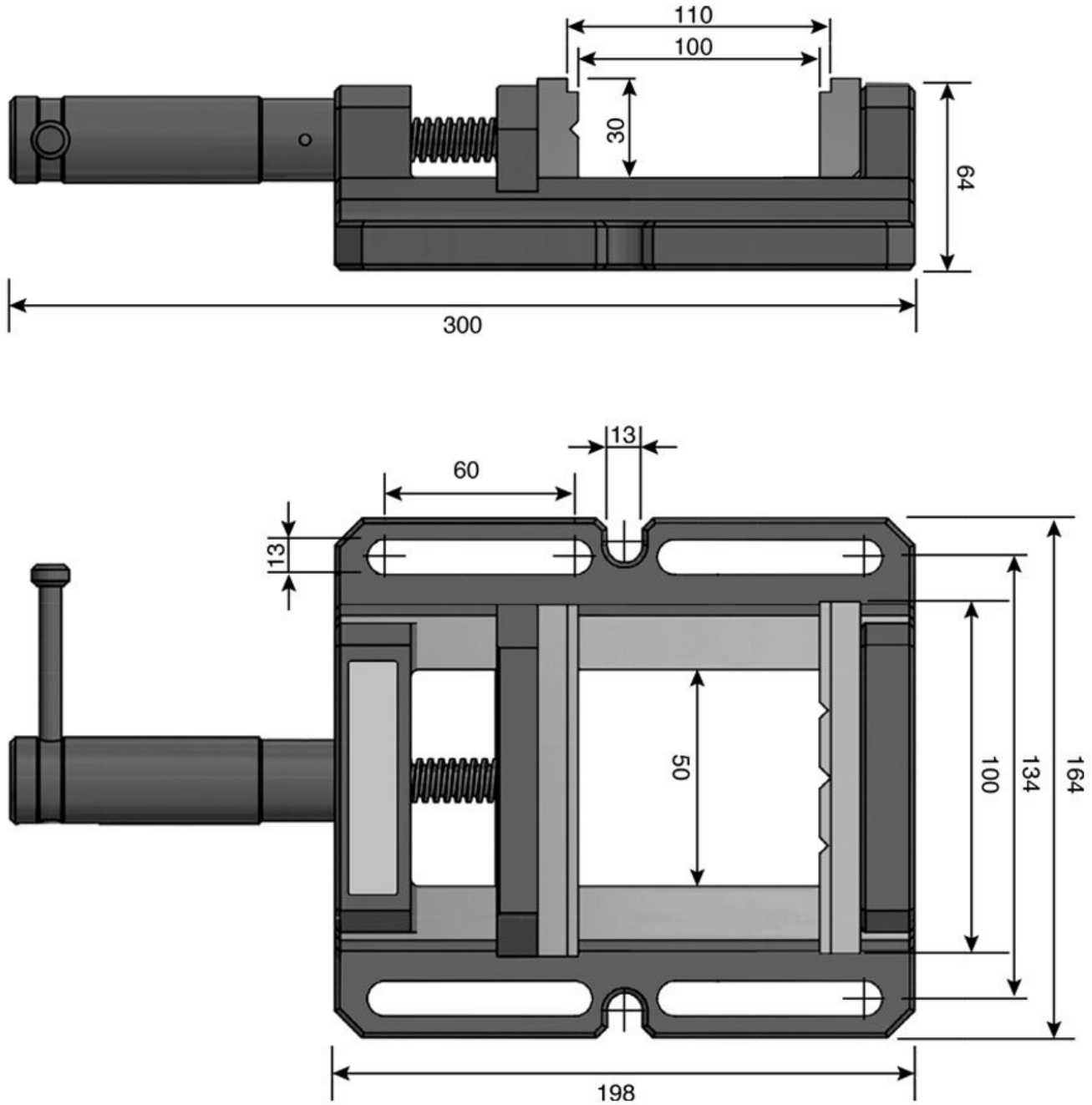
### Description

Manufactured from close grain cast iron.  
 The Deluxe Vice comes with jaws that are hardened, with vertical and horizontal grooves for prismatic work.

### Features

- 100mm wide hardened and precision ground jaws
- 100mm opening with 50mm throat
- Prismatic jaw for securely clamping round work pieces
- Compact design
- Guide screw lead in mechanism

Product Brochure For V1441



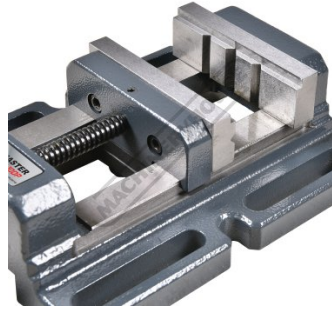
\* Dimensions are provided solely for the purpose of illustration; product tolerance may exhibit variations.

Product Brochure For V1441

**Specific Features**



Rear View



Jaws

**Recommended Accessories**

V053

Aluminium Magnetic Soft Jaws

V0537

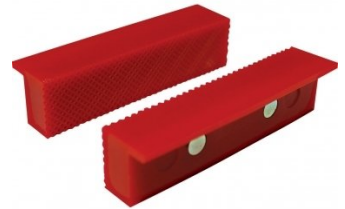
Aluminium Magnetic Soft Jaws

V0534

Aluminium Magnetic Soft Jaws

V054

Plastic Magnetic Soft Jaws



V0544

Plastic Magnetic Soft Jaws

