

Product Brochure For T767

6 Drawer - Industrial Tooling Cabinet - TC-800

723 x 653 x 800mm
 100kg per Drawer

Ex GST
\$800.00

Inc GST
\$880.00



ORDER CODE:	T767
MODEL:	TC-800
Number of Drawers (No.):	6
Drawer Load Capacity (kg):	100
Maximum Total Load Capacity (kg):	600
Includes Backing Panel:	~
Dimensions (W x D x H) (mm):	723 x 653 x 800
Nett Weight (kg):	102



Features

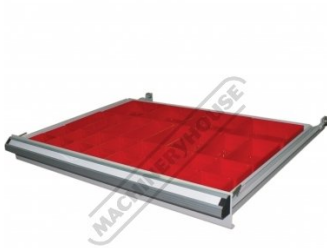
- Heavy duty tooling cabinets, ideal for industrial applications and serious workshops
- The sliding drawers are a welded strengthened single rail design coupled with high quality mechanical bearings for long lasting smooth operation
- Each drawer is rated at 100kg load capacity with 97% drawer access and a total of 600kg maximum load capacity
- Single Key lock design for safe storage. Each drawer has a mechanical safety lock which allows one drawer to be opened at a time, preventing the cabinet to tip over
- All top drawers include a series of different size plastic boxes for those small items, all other drawers come with adjustable steel dividers
- The optional steel frame backing panel with rubber protective base cover is great to rest tooling and precious parts on top of the cabinet

Includes

- Top Drawer - 75mm high with moveable plastic division boxes
- Drawer 2 - 75mm high with moveable steel dividers 4x3 layout
- Drawer 3 & 4 - 100mm high with moveable steel dividers 4x3 layout
- Drawer 5 - 150mm high with moveable steel dividers 4x3 layout
- Drawer 6 - 200mm high with moveable steel dividers 4x3 layout

Product Brochure For T767

Specific Features



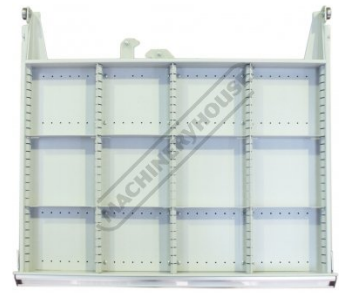
Top Drawer with Plastic Buckets



Drawers with Steel Dividers



Plastic Bucket Drawers



Heavy Duty Drawers



Drawer Locking Mechanism



Drawer Lock Bracket



Drawer in Lock Position



Drawer in Unlock Position



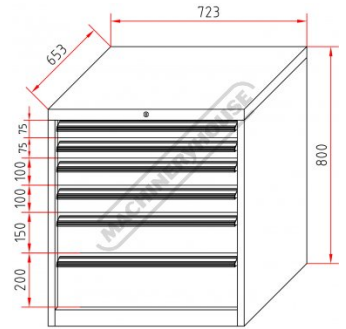
Heavy Duty Drawer Slides



Drawers with Safety Lock



Drawer Ball Bearing Arms



Diagram

Product Brochure For T767

Recommended Accessories

T768
 6 Drawer - Industrial Mobile
 Tooling Cabinet



K068
 6 Drawer - Industrial Mobile
 Tooling Cabinet with Backing
 Panel Package Deal



T783
 Steel Frame Backing Panel



T779
 Handle



T776
 Wheel Kit - Ø125mm



A427
 Plastic Bucket



A428
 Plastic Bucket



A429
 Plastic Bucket



Product Brochure For T767

T784
 Steel Divider

T784A
 Slotted Rail

T786
 Steel Divider

T786A
 Slotted Rail

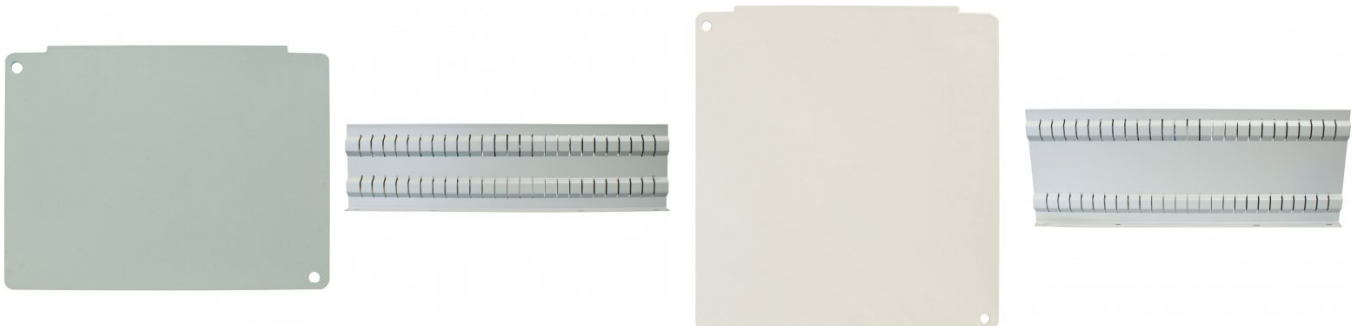


T787
 Steel Divider

T787A
 Slotted Rail

T788
 Steel Divider

T788A
 Slotted Rail



T703
 Magnetic Spray Can &
 Screwdriver Holder

H820
 Metric Hex Key Set with T-Bar
 Handle

H821
 Imperial Hex Key Set with T-Bar
 Handle

H822
 Torx® Key Set with T-Bar
 Handle



Product Brochure For T767

D1272

Metric 135° Precision HSS Drill Set - 25 Piece



D1282

Imperial 135° Precision HSS Drill Set - 29 Piece



D1285

Metric 135° Precision HSS Drill Set - 51 Piece



D1071

HSS Sheet Metal Step Drill Set - 3 Piece



D1051

HSS Countersink Set (90° Cross Hole Type) - 4 Piece



D1061

HSS Countersink Set (90° 3 Flute Type) - 6 Piece



D508

HSS Industrial Centre Drill Set - 5Pcs



D070

Drill Sharpener



H880

Dead Blow, Nylon Face Hammer



H870

Soft Face Hammer



H875

Soft Face Hammer - 5 piece



H885

Auto Panel Restoration Kit - DIY



Product Brochure For T767

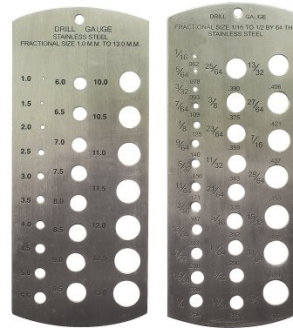
H886
 Auto Panel Restoration Kit - Professional



H887
 Auto Panel Restoration Kit - Master



M988
 Metric & Imperial Drill Gauge



Q616
 Feeler Gauge Set



T012
 Metric Alloy Steel Tap & Die Set - 32 Piece



T013
 Metric HSS Tap & Die Set - 32 Piece



T014
 Metric Alloy Steel Tap & Die Set - 45 Piece



T015
 Imperial Alloy Steel Tap & Die Set - 45 Piece



T016
 Metric HSS Tap & Die Set - 45 Piece



T870
 Screw Extractor Set - 10 piece



T119
 Metric Thread Restorer File



T120
 Imperial Thread Restorer File



Product Brochure For T767

T100
 Metric Thread Repair Kit - 130 Piece



T116
 Imperial Thread Restorer Tap & Die Kit - 26 Piece Set



T115
 Metric Thread Restorer Tap & Die Kit - 15 Piece



T117
 Metric, UNC, UNF Thread Restorer Tap & Die Kit - 48 Piece



D108
 Metric Carbide Tipped Hole Saw Set



D102
 Metric HSS Hole Saw Set



F100
 Engineers Files, 5 Piece Set - Second Cut



F120
 Engineers File, Flat - Coarse Cut



F121
 Engineers File, Flat - Second Cut



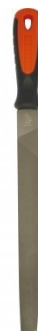
F122
 Engineers File, Flat - Smooth Cut



F124
 Engineers File, Half Round - Coarse Cut



F125
 Engineers File, Half Round - Second Cut



Product Brochure For T767

F126

Engineers File, Half Round - Smooth Cut



F127

Engineers File, Round - Coarse Cut



F128

Engineers File, Round - Second Cut



F129

Engineers File, Round - Smooth Cut



F160

Slapping File - Second Cut



F150

Flexible Body File Holder



F155

Flexible Body File



F156

Flexible Body File



P112

Hole Punch Set



S203

180° Straight Edge/Seaming Plier



S205

90° Edge/Seaming Plier



S200

Joggler & Punch Plier



Product Brochure For T767

P368
 Automatic Centre Punch



P367
 Centre Punch Set - 3 Piece



P365
 Pin Punch Set - 6 Piece



P363
 Cold Chisel Set - 3 Piece



P364
 Punch & Cold Chisel Set - 14 Piece



N001
 Nut & Blind Riveter Set - 130 Piece



P350
 Letter Punches



P351
 Number Punches



P354
 Letter Punches



P355
 Number Punches



W103
 Engineers Chalk Marker- 50 Splits



W104D
 White Liquid Paint Marker - Valve Action



Product Brochure For T767

W104B
 Silver Streak - Welders Pencil



W104A
 Orange Trades Marker Refills - All Purpose



W104
 Trades Marker - All Purpose



W104G
 Silver Streak Refills - Round Metal Marker



W104C
 Silver Streak - Round Metal Marker



D063
 Sheet Metal Deburring Tool



D060
 Deburring Tool - Telescopic Shaft



D065
 Universal Deburring Tool Set - 23 Piece



D068
 Pipe/Tube Deburring Tool - Internal / External



B900
 Carbide Burr Double Cut Set - Short Series



B905
 Carbide Burr Double Cut Set - Long Series



M0010
 Pick Up Tool with Magnetic Head & 1 x LED Light



Product Brochure For T767

M0009
 Magnetic Pick Up Tool &
 Inspection Mirror Set



L300
 Magnetic Swarf Remover



P020
 Hydraulic Chassis Punch Set



W112
 Micro Welding Steel Clamp Set



W113
 Butt Welding Aluminium & Steel
 Clamp Set



S077
 Drilling, Tapping & Cutting Tool
 Lubricant Spray - 400g



S075
 Cutting Tool Lubricant Paste -
 200g



O043
 Rust & Corrosion Preventive



O042
 General Purpose Lubricant &
 Corrosion Inhibitor



O040
 Rust & Corrosion Preventive



O044
 Rust & Corrosion Preventive



P030
 Bush Driver Set - 17 piece



Product Brochure For T767

P031
 Bearing Race & Seal Driver Set
 - 10 piece



P005
 Ratcheting Gear Puller Set



P013
 Puller Set with Slide Hammer



P011
 Hydraulic Gear Puller Kit



A037
 Air Tool Oil



G076
 Top Up Pump



G077
 Oil Transfer Pump



G065
 Suction Gun - Oil Transfer



G070
 Grease Gun



G072
 Grease Gun



G063
 Grease Gun



G074
 Air Operated Grease Gun



Product Brochure For T767

G066

Air Operated Power Pistol -
Grease Gun



G060

Grease Gun



G067

Lithium-ion Battery Operated -
Grease Gun



G057

Super Blue Complex Grease
Cartridge



O002

Superdraulic ISO 46 Hi Temp
Hydraulic Oil

