

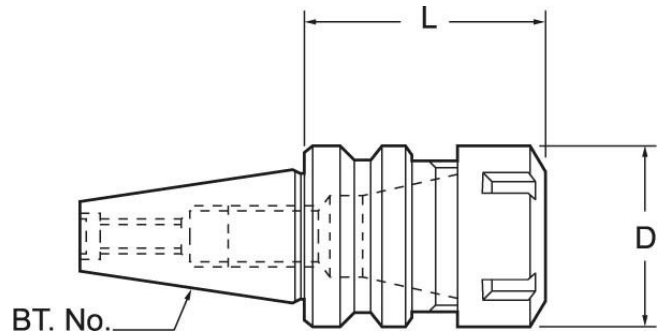
Product Brochure For T331

BT30 x ER16-60 Collet Chuck

Ø0.5-Ø10mm Range
 10,000rpm Speed Rating



| | |
|---------------------|----------------|
| ORDER CODE: | T331 |
| MODEL: | BT30 x ER16-60 |
| Speed Rating (rpm): | 10,000 |
| Taper (BT): | BT30 |
| Capacity (mm): | 0.5 - 10 |
| L (mm): | 60 |
| D (mm): | 28 |
| Collet Type (ER): | ER16 |
| Nett Weight (kg): | 0.8 |



Description

All BT collet chucks meet the specifications of machine tool builders (DIN 2080 taper Shank Grade AT-3 - 85% taper contact)

Features

- Precision ground
- Manufactured to MAS403BT30 standard
- M12 Pull Stud thread
- 70mm extension from the gauge line
- Locking spanner not included

Product Brochure For T331

Recommended Accessories

C903
ER32 Collet



C921
ER32 Collet Set - 6 Piece



C922
ER32 Collet Set - 18 Piece



C932
ER32 Collet Chuck Wrench



C117
Collet Nut ER32



T330
Pull Stud

