

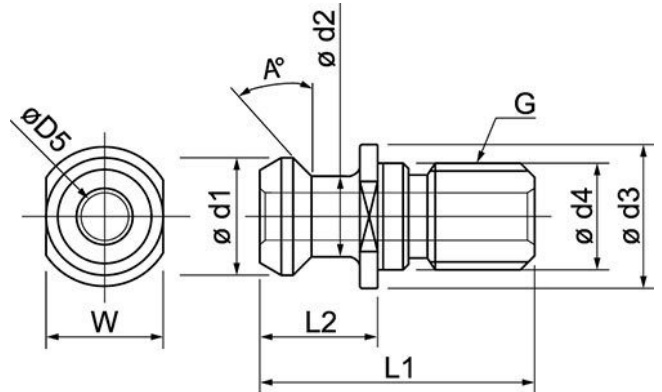
Product Brochure For T148

Pull Stud - MAZAK

BT-40



ORDER CODE:	T148
Type:	BT40
A (deg):	45°
G (mm):	M16
d1 (mm):	19.0
d2 (mm):	13.0
d3 (mm):	22.5
d4 (mm):	17.0
D5 (mm):	7.3
L1 (mm):	44.00
L2 (mm):	19.50
W (mm):	18.0



**Description**

Pull stud for use with MAZAK machines

**Features**

- Precision ground through coolant
- M16 Pull stud thread
- Through Coolant