

Product Brochure For S9988

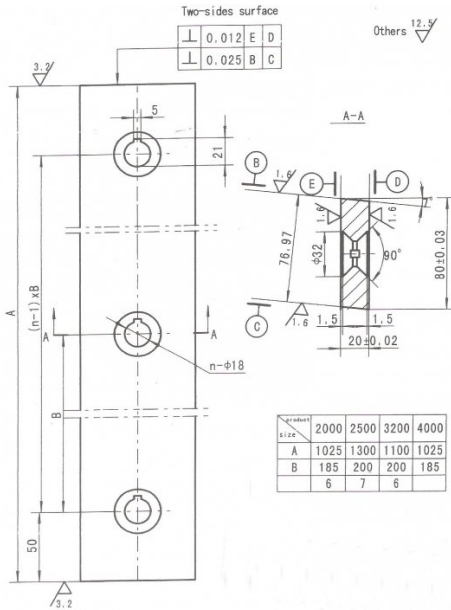
## 4000mm Sheet Metal Guillotine Blade Set - 6CrW2Si - GB-102.8020

1025 x 80 x 20mm

Top & Bottom Blade Set

**Ex GST**                      **Inc GST**  
**\$3,750.00**                  **\$4,125.00**

ORDER CODE:	S9988
MODEL:	GB-102.8020
Suits Guillotine Cut Length (mm):	4000
Blade Size (mm):	1025 x 80 x 20
Blade Material:	6CrW2Si
Top Blade Set:	4 Piece
Bottom Blade Set:	4 Piece



### Description

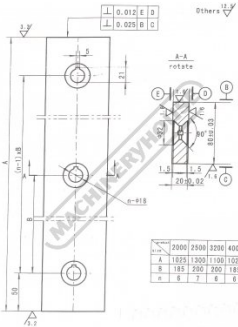
Blades made from 6CrW2Si material suitable for cutting stainless steel

### Includes

- Top & Bottom Blade Set

Product Brochure For S9988

**Specific Features**



Bottom Blade

**Recommended Accessories**

**S962**

Hydraulic NC Guillotine -  
Variable Rake

**S962S**

Hydraulic NC Guillotine -  
Variable Rake

