

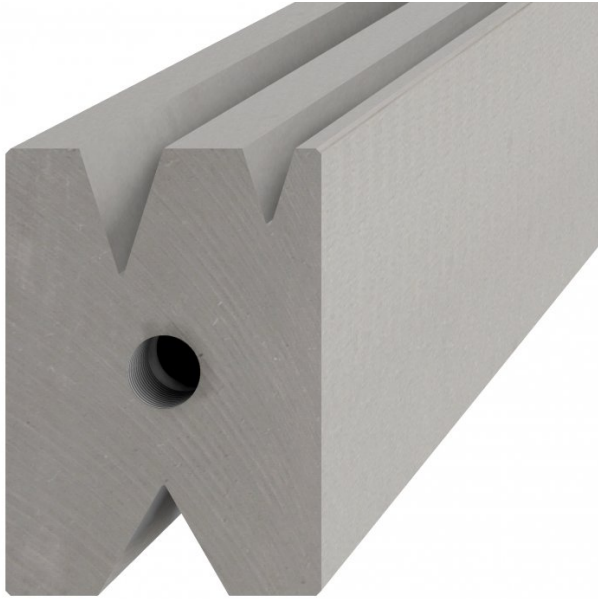
Product Brochure For S997A

## 60mm Die Block Pressbrake Tooling - DB60-4000

60mm x 85mm (W x H) 4000mm Long (Suits die rail type)  
 Suits MetalMaster, Amada & European Pressbrakes

<b>Ex GST</b>	<b>Inc GST</b>
<b>\$2,690.00</b>	<b>\$2,959.00</b>

Order Code:	S997A
Model:	DB60-4000
Type:	Die Block
Size (mm):	60 x 85 x 4000



### Description

Acute angle multi Vee die block made from chromium-molybdenum high strength steel and heat treated for long term durability.

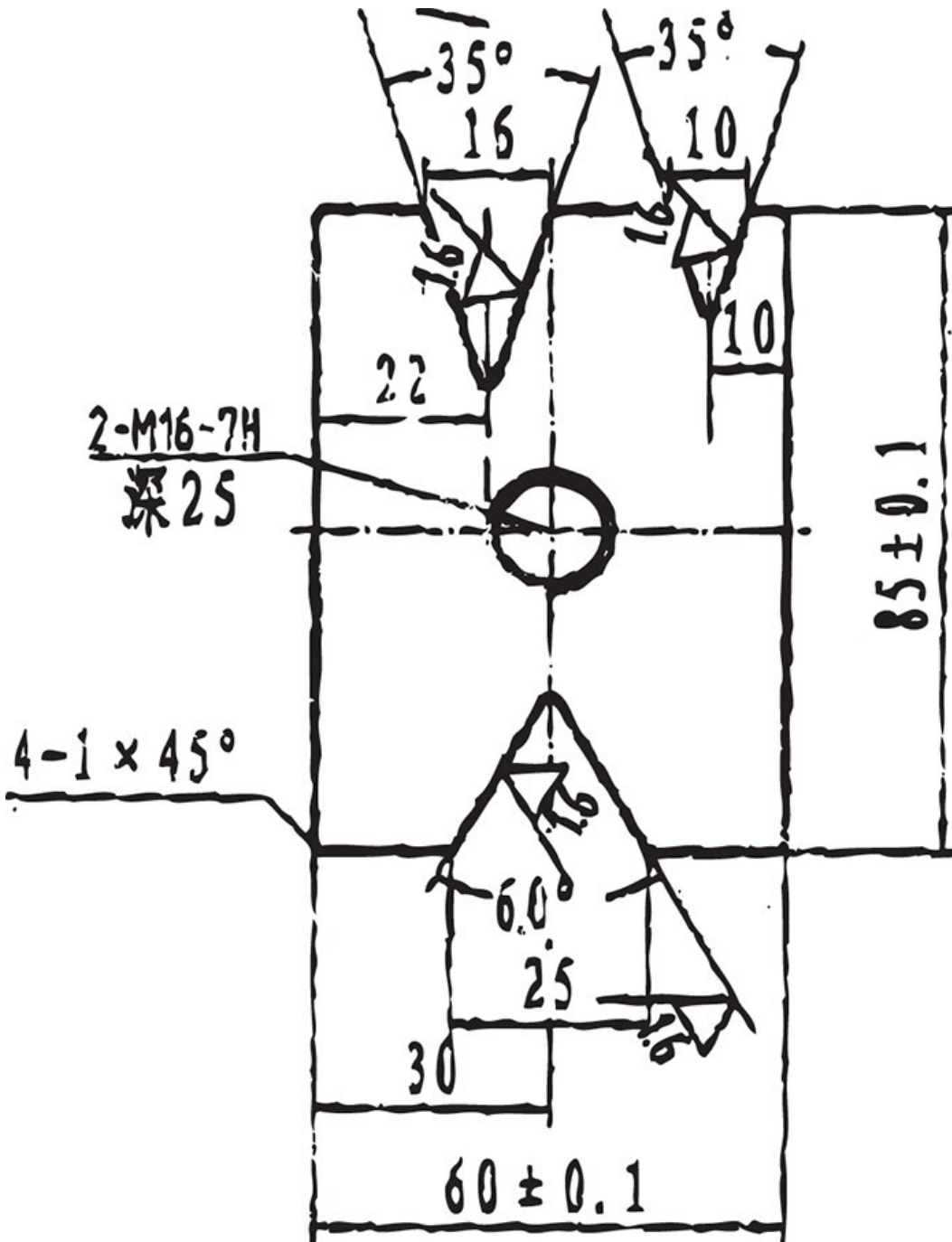
Designed for acute angle bending including catering profiles

Included Vee's -:  
 10mm x 35°  
 16mm x 35°  
 25mm x 60°

Width - 60mm  
 Height - 85mm  
 Length - 4000mm

Suits S997B Die rail

Product Brochure For S997A



Product Brochure For S997A

---

**Specific Features**



Full Length

**Recommended Accessories**

**S996**  
15° Top Punch Pressbrake  
Tooling

**S996B**  
60mm Die Rail Pressbrake  
Tooling

**S908GL**  
Hydraulic NC Pressbrake

