

Product Brochure For Q317

## Metric Outside Micrometer - Large Cast Frame - 12-317

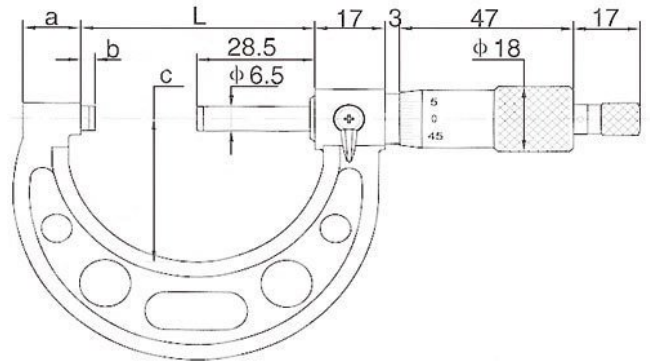
150 - 175mm Range

Ex GST  
**\$140.00**

Inc GST  
**\$154.00**



ORDER CODE:	Q317
Range (mm):	150 - 175
Graduation (mm):	0.01
Accuracy (mm):	0.007
Setting Bar (No.):	1
a (mm):	19.4
b (mm):	5.5
c (mm):	104
L (mm):	183
m061:	~



### Description

Measumax metric micrometers represent exceptional value. Special care has been taken in design and workmanship to ensure high precision and long life. Measumax metric micrometers meet industry standards for specification and accuracy

### Features

- Carbide measuring faces - Painted cast frame
- Micro-fine clear graduations on satin chrome finish
- Measuring face 6.5mm, Flatness 0.0008mm
- Ratchet stop for exact repetitive readings
- Includes deluxe foam lined plastic case and wrench
- Graduation 0.01mm
- Supplied with setting standards