

Product Brochure For Q221

Digital Indicator - 34-221

0-50mm / 2"

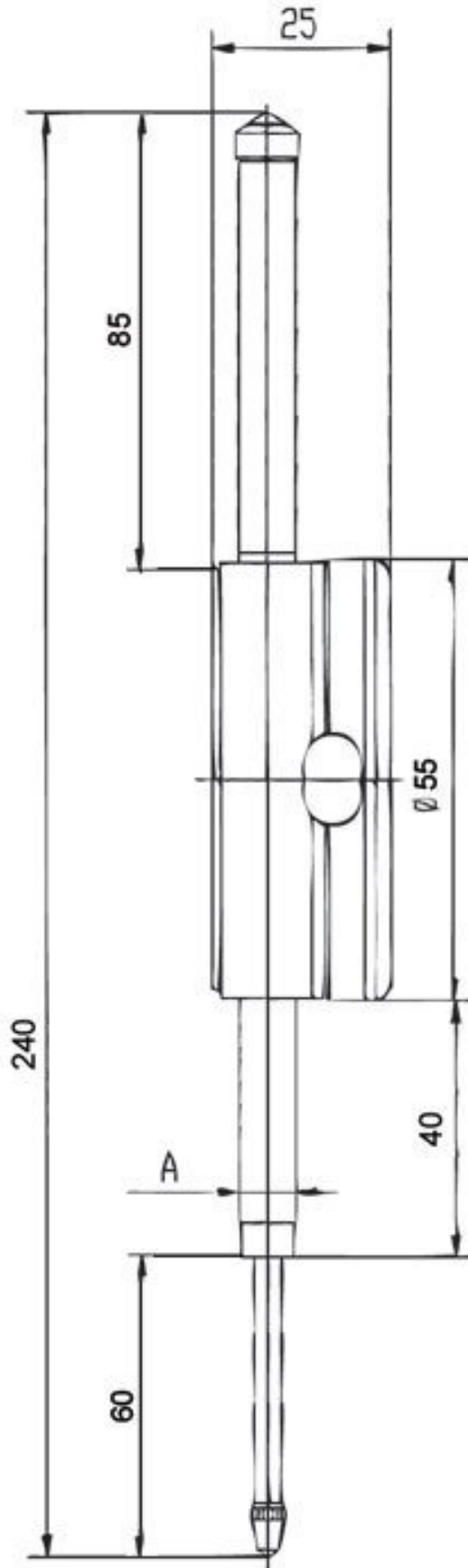


**Ex GST**  
**\$320.00**

**Inc GST**  
**\$352.00**

ORDER CODE:	Q221
Range (mm / inch):	0 - 50mm / 0 - 2"
Resolution:	0.01mm / 0.0005"
Accuracy:	0.009
Diameter:	55
A:	8

Product Brochure For Q221



**Features**

- Manual power On/Off
- Zero setting at any position
- Metric/Imperial system conversion at any position
- Max speed 1.5m/sec

**Includes**

- Includes CR2025 battery

Product Brochure For Q221

**Recommended Accessories**

**Q2168**  
 Contact Point for Dial Indicators



**M050**  
 Magnetic Base - Standard



**M051**  
 Magnetic Base - Deluxe - One Lock



**Q430**  
 Magnetic Base - Small



**Q435**  
 Magnetic Base - Large



**Q4351**  
 Magnetic Base - Large



**Q436**  
 Magnetic Base - One Lock (Large)

