

Product Brochure For Q218

## Dial Test Indicator - Metric - 34-218

Gradient of 12 degrees On Dial Face

±1.6mm Travel

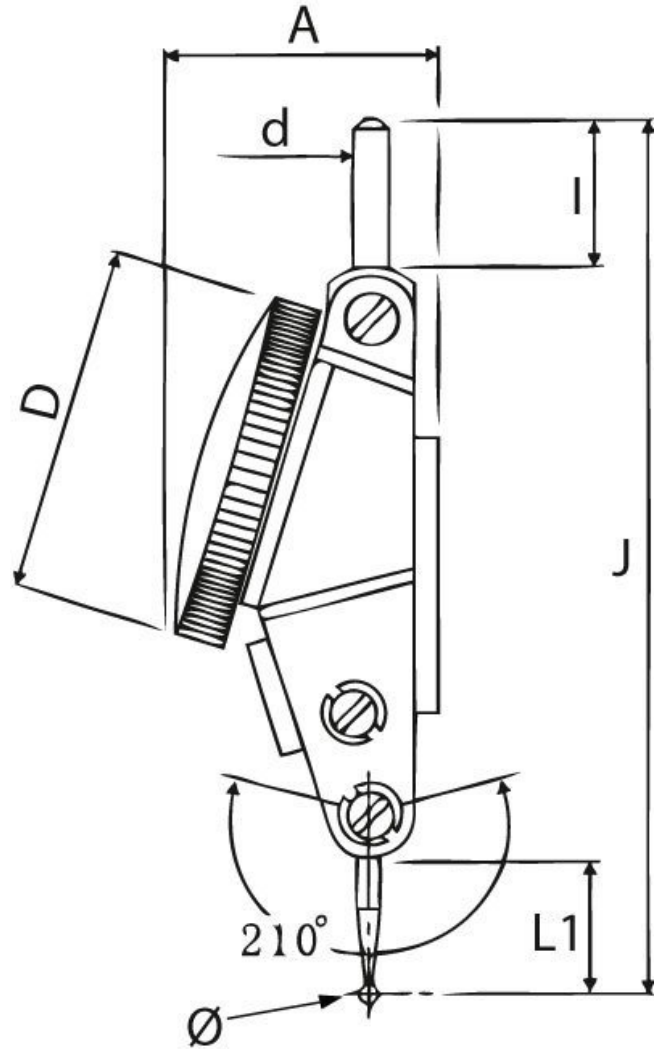


**Ex GST**  
**\$180.00**

**Inc GST**  
**\$198.00**

ORDER CODE:	Q218
Range:	±1.6mm
Graduations:	0.01mm
A (mm):	31.2
B (mm):	~
B1 (mm):	~
C (mm):	~
D (mm):	Ø38
d (mm):	4 / 8
E (mm):	~
F (mm):	~
G (mm):	~
H (mm):	~
I (mm):	16.5
J:	99
K (mm):	~
L (mm):	~
L1 (mm):	19
Ø (mm):	2.5

Product Brochure For Q218



**Features**

- Large measuring range - 1.6mm - +1.6mm
- Measurement in both directions - steel ball end
- Gradient of 12 degrees on dial face
- Mono enclosure for air tight seal

Product Brochure For Q218

**Specific Features**



Rear Mounting



Top Mounting

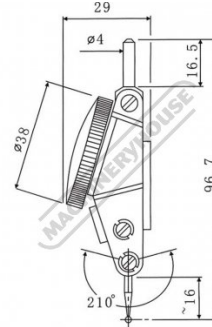


Diagram Dimensions

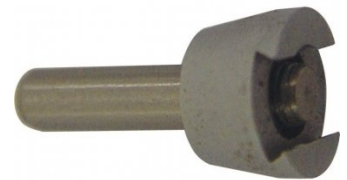
**Recommended Accessories**

Q2173  
 Stylus for Dial Test Indicators

Q2172  
 Stylus for Dial Test Indicators

Q2171  
 Dial Test Indicator - Imperial

Q2182  
 Stem for Dial Test Indicators



Q2183  
 Stem for Dial Test Indicators

Q2184  
 Stem for Dial Test Indicators

M050  
 Magnetic Base - Standard

M051  
 Magnetic Base - Deluxe - One Lock



Product Brochure For Q218

---

**Q430**  
Magnetic Base - Small



**Q435**  
Magnetic Base - Large



**Q4351**  
Magnetic Base - Large



**Q436**  
Magnetic Base - One Lock (Large)

