

Product Brochure For Q2171

Dial Test Indicator - Imperial - 34-2171

Jewel Movement - Measuring In Both Directions
 0 - 0.03" Travel



Ex GST
\$90.00

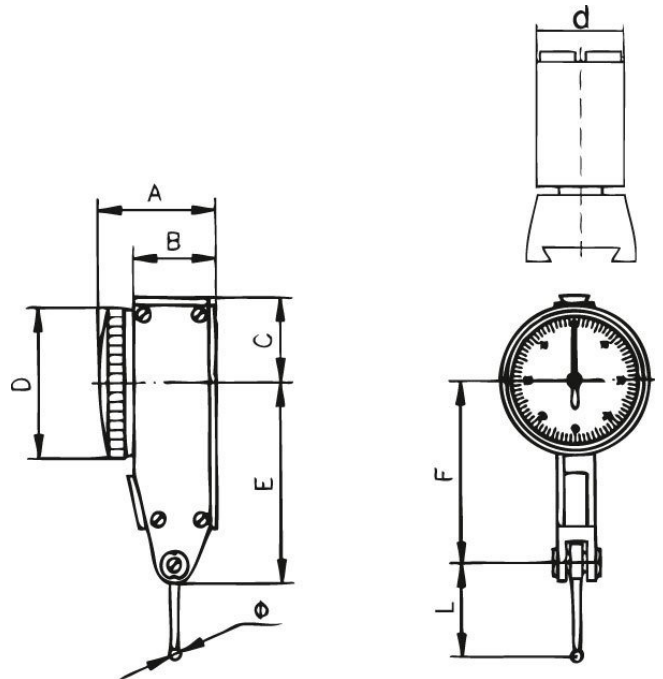
Inc GST
\$99.00

ORDER CODE:	Q2171
Range:	0 - 0.03"
Graduations:	0.0005"
A (mm):	24.5
B (mm):	17.3
B1 (mm):	~
C (mm):	16.6
D (mm):	Ø31.2
d (mm):	3.95 / 9.5
E (mm):	42.6
F (mm):	38.7
G (mm):	~
H (mm):	~
I (mm):	~
J:	~
K (mm):	~
L (mm):	19
L1 (mm):	~
Ø (mm):	2



Features

- The dial test indicator is ideally suited for all kinds of comparative measurements in the workshop and inspection room
- It also can be used together with machine tools, apparatus and other measuring devices - Steel ball end
- Jewel movement - measuring in both directions



Product Brochure For Q2171

Specific Features



Rear Mounting



Front Mounting

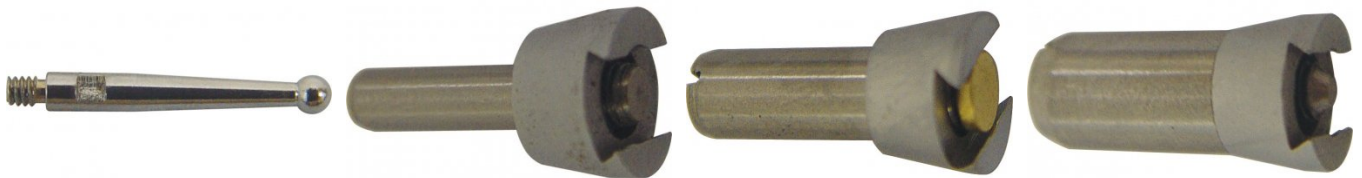
Recommended Accessories

Q2172
 Stylus for Dial Test Indicators

Q2182
 Stem for Dial Test Indicators

Q2183
 Stem for Dial Test Indicators

Q2184
 Stem for Dial Test Indicators



M050
 Magnetic Base - Standard

M051
 Magnetic Base - Deluxe - One Lock

Q430
 Magnetic Base - Small

Q435
 Magnetic Base - Large



Product Brochure For Q2171

Q4351

Magnetic Base - Large



Q436

Magnetic Base - One Lock
(Large)

