

Product Brochure For Q215

## Metric Dial Indicator - 34-215

0-30mm

Smooth movement

Ex GST

\$85.00

Inc GST

\$93.50

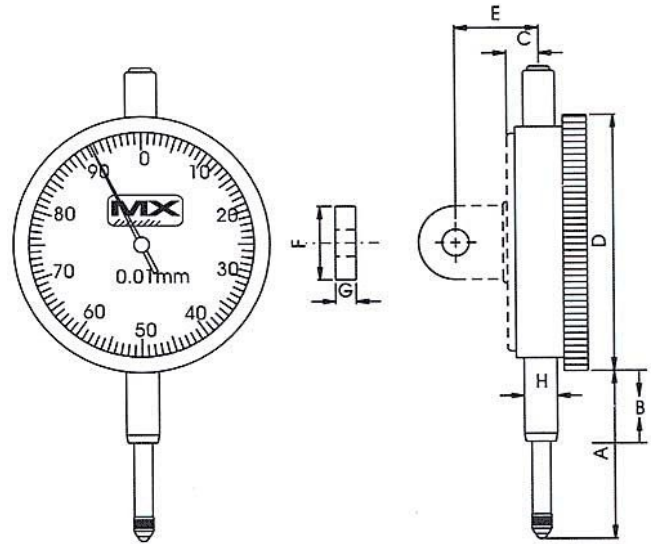


|                          |          |
|--------------------------|----------|
| ORDER CODE:              | Q215     |
| Range (mm / inch):       | 0 - 30mm |
| Graduations (mm / inch): | 0.01mm   |
| A (mm):                  | 58       |
| B (mm):                  | 21       |
| C (mm):                  | 8        |
| D (mm):                  | 60       |
| E (mm):                  | 20       |
| F (mm):                  | 18       |
| G (mm):                  | 5        |
| H (mm):                  | 8        |



### Features

- In-out tolerance maker
- Smooth movement
- Flat glass
- Flat back and back lug supplied
- Individual serial numbers with corresponding calibration certificate
- Supplied in foam lined plastic case



Product Brochure For Q215

**Recommended Accessories**

**Q2165**  
 Ø10mm Flat Contact for Dial Indicators



**Q2167**  
 Contact Point for Dial Indicators



**Q2125**  
 Back Plate with Lug for Dial Indicators



**M050**  
 Magnetic Base - Standard



**M051**  
 Magnetic Base - Deluxe - One Lock



**Q430**  
 Magnetic Base - Small



**Q435**  
 Magnetic Base - Large



**Q4351**  
 Magnetic Base - Large



Product Brochure For Q215

---

Q436

Magnetic Base - One Lock  
(Large)

