

Product Brochure For Q213

## Metric Dial Indicator - Precision - 34-213

0-5mm

6 x Precision Jewel Movement

Ex GST

\$75.00

Inc GST

\$82.50

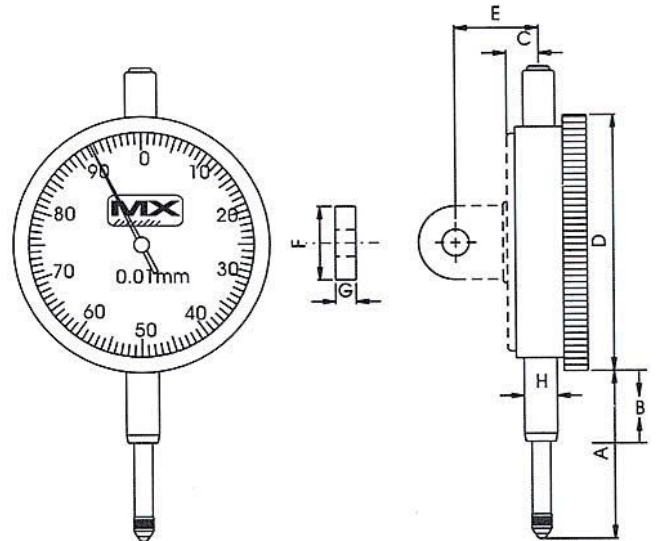


|                   |         |
|-------------------|---------|
| ORDER CODE:       | Q213    |
| Range (mm):       | 0 - 5mm |
| Graduations (mm): | 0.01mm  |
| A (mm):           | 26      |
| B (mm):           | 12      |
| C (mm):           | 7.2     |
| D (mm):           | 40      |
| E (mm):           | 19      |
| F (mm):           | 16      |
| G (mm):           | 5       |
| H (mm):           | 8       |



### Features

- Smooth 6 jewel movement
- In-out tolerance maker
- Flat glass
- Flat back and back lug supplied
- Jewelled bearing construction, shockproof
- Individual serial numbers with corresponding calibration certificate
- Supplied in foam lined plastic case



Product Brochure For Q213

**Recommended Accessories**

**Q2165**  
 Ø10mm Flat Contact for Dial Indicators



**Q2167**  
 Contact Point for Dial Indicators



**M050**  
 Magnetic Base - Standard



**M051**  
 Magnetic Base - Deluxe - One Lock



**Q430**  
 Magnetic Base - Small



**Q435**  
 Magnetic Base - Large



**Q4351**  
 Magnetic Base - Large



**Q436**  
 Magnetic Base - One Lock (Large)

