

Product Brochure For Q212

Imperial Dial Indicator - 34-212

0-1"

Smooth movement

Ex GST
\$75.00

Inc GST
\$82.50

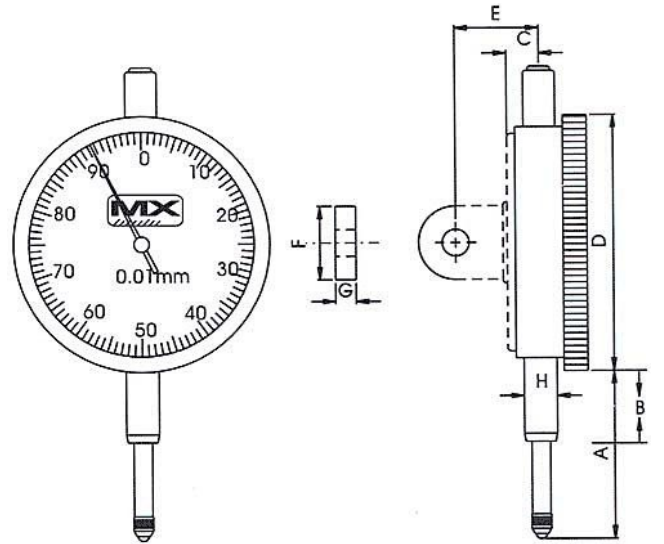


ORDER CODE:	Q212
Range (mm / inch):	0 - 1"
Graduations (mm / inch):	0.001"
A (mm):	52
B (mm):	20
C (mm):	8
D (mm):	58
E (mm):	19
F (mm):	17
G (mm):	6.35
H (mm):	9.5



Features

- Face Ø58mm - Back plate mounting lug
- Smooth movement
- In-out tolerance marker
- Supplied in foam lined plastic case with calibration certificate



Product Brochure For Q212

Recommended Accessories

Q2168
 Contact Point for Dial Indicators



Q2125
 Back Plate with Lug for Dial Indicators



M050
 Magnetic Base - Standard



Q430
 Magnetic Base - Small



Q435
 Magnetic Base - Large



Q4351
 Magnetic Base - Large



Q436
 Magnetic Base - One Lock (Large)

