

Product Brochure For Q148

Inside Micrometers - Rod Type - 23-148

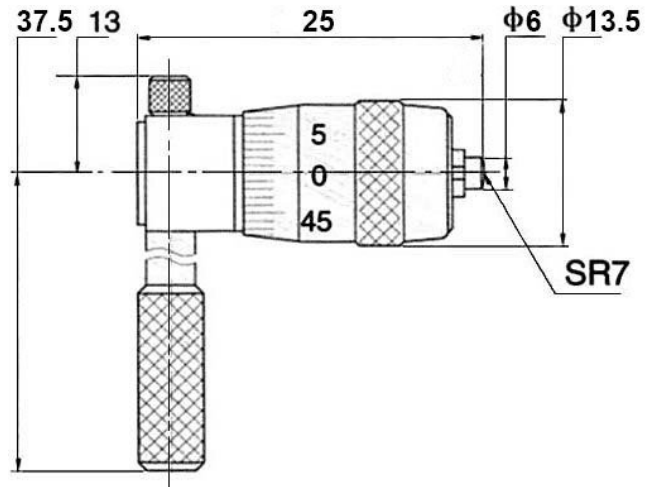
25-50mm

Metric

Ex GST
 \$220.00

Inc GST
 \$242.00

ORDER CODE:	Q148
Range (mm / inch):	25 - 50mm
Graduation (mm):	0.01
Extension Rods (No.):	2



Description

Measumax series 23 inside micrometers are a rod type and have the shortest measuring length of their kind

Features

- The anvil and the spindle are hardened and precision ground
- Spindle thread is hardened and precision ground
- Each interchangeable rod is marked with the range
- Adjustment can be made to each of the extension rods
- Graduation: 0.01mm
- Accuracy: Metric(6+L/50)µm
- (L=Max.measuring length)