

Product Brochure For Q1245

## Digital Outside Micrometer - 10-1245

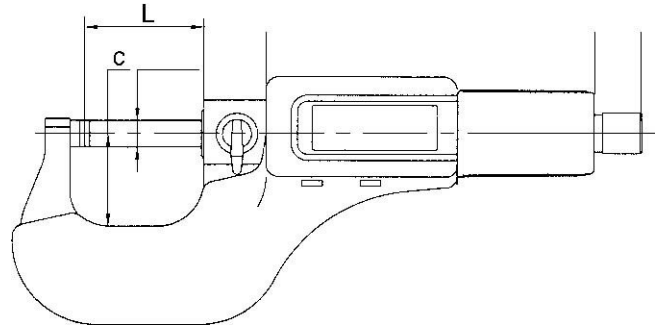
0-25mm / 0-1"

IP65 (Coolant Proof)

Ex GST  
**\$200.00**

Inc GST  
**\$220.00**

ORDER CODE:	Q1245
Range (mm / inch):	0 - 25mm / 0 - 1"
Accuracy (mm):	±0.001
C (mm):	23
L (mm):	32
Protection Rating:	IP65 (Coolant Proof)
Direct RS-232 output (Yes / No):	No



### Description

Quick, accurate and easy to use with IP65 protection against oil, water and coolant. Measumax digital IP-65 micrometers are suitable for the harshest conditions. Economically priced without reduction in quality

### Features

- Protected to IP65 specifications
- Large LCD for easy reading
- Metric conversion and zero setting keys
- Carbide measuring faces, Flatness 0.0008mm
- Abs, and inc. conversion. Power Origin Auto off
- Origin data set
- Ratchet thimble
- Chrome-plated frame
- Resolution: 0.001mm/0.0005"

### Includes

- Includes CR2032 battery

Product Brochure For Q1245

---

**Recommended Accessories**

Q675

Micrometer Stand

