

Product Brochure For P984

Industrial CNC Plasma Cutting Table- Compact - BPH

3110 x 1600mm

Please Refer to Table for Specifications



ORDER CODE:	P984
MODEL:	BPH
Cutting Capacity - Mild Steel (mm):	~
Cutting Table Capacity (mm):	Refer Table Below
Plasma Cutting Unit:	~
Current Output (amp):	~
Duty Cycle (Typical):	~
Fume Management (Type):	~
Cutting Gas (Type):	~
Plasma Unit Input Voltage (V):	~
Machine Input voltage:	~
Plasma Unit Input Amperage (amp):	~
Nett Weight (kg):	2200



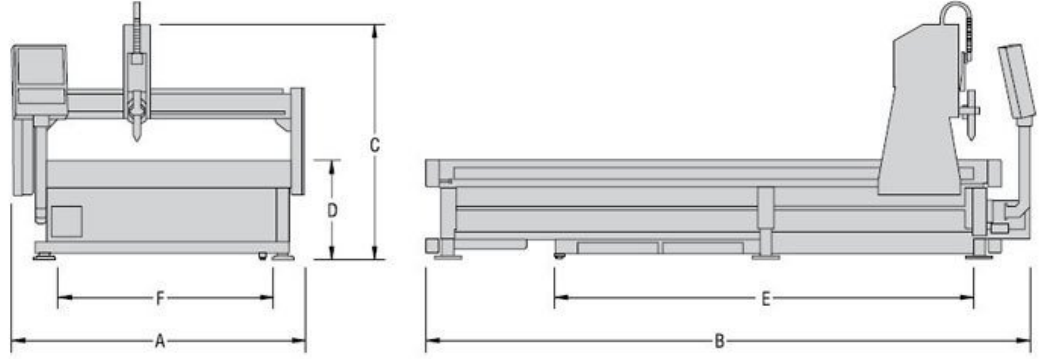
Description

The tough little machine for ducting and light cutting. A high rail machine ideal for HVAC ducting work and other light sheet work but built with extra strength and precision so it can be upgraded to high definition plasma cutting for material up to 40 mm.

Features

- Simple operation
- The Baykal compact is fitted with a very simple control so that new or occasional users can be trained in minutes.
- Easy programming
- Offered with a range of programming tools from Lantek the most complicated sheet-metal developments of ducting components hoods etc. can be produced in seconds and downloaded to the machine for immediate cutting or combined.
- Rugged structure
- Featuring a fully machined gantry and base with linear bearings on both longitudinal rails this machine is built to work hard and long. Because of its unitary design there is no need for a complicated installation and if necessary the machine can be readily moved around the workshop to
- suit changing workloads

Product Brochure For P984



TIPLER TYPES	Genişlik Width (A) (mm)	Uzunluk Lenght (B) (mm)	Yükseklik Height (C) (mm)	Tabla Yüksekliği Table Height (D) (mm)	X Eksen Strok X Axis Stroke (E) (mm)	Y Eksen Strok Y Axis Stroke (F) (mm)	Ağırlık Weight (kg)
BPH-Compact 1503	2140	4450	1750	750	3110	1600	2200

Verilen değerler tekli torch içindir. İki veya daha fazla torch için bilgi alınız. * Data in the table are for single torch. Please ask for double or more torch.

Recommended Accessories

P799

Plasma Water Table Fluid

