

Product Brochure For N028

## Rivet Stud Inserts - M8 x 1.25mm

Steel - Zinc Plated  
 Qty 50 In Pack

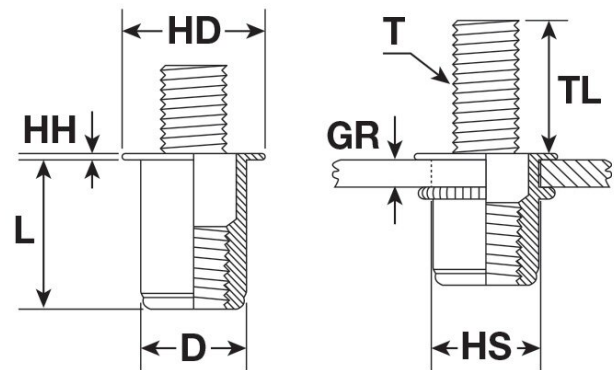


**Ex GST**  
**\$45.00**

**Inc GST**  
**\$49.50**

ORDER CODE:	N028
MODEL:	-
Type:	Rivet Stud Inserts
Nut Insert Material (Type):	Steel - Zinc Coated
Quantity in Pack:	50
Rivet Nut Inserts Range (Metric):	-
Blind Rivets (mm):	-
Thread Size (T) (Metric):	M8 x 1.25
Thread Length (TL) (Metric):	20
Length (L) (mm):	16.4
Head Height (HH) (mm):	1.5
Head Diameter (HD) (mm):	15
Diameter (D) (mm):	10.9
Hole Size (HS) (mm):	11
Grip Range (GR) (mm):	1.00 - 3.00
Torque to Turn (Kgf.cm):	200

## STUD INSERT



**UNINSTALLED**

**INSTALLED**



### Description

Suits RNB40 Twin Handle Nut Riveter

### Features

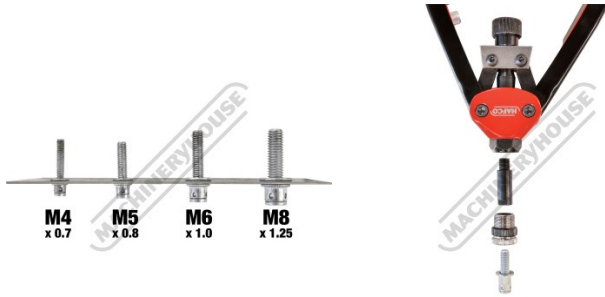
- Steel - Zinc Coated
- Fast & easy installation from one side
- Adds a threaded stud to thin sheet metal
- Knurled section of the body for anti-rotation
- \*\* Easy to install with the RNB40 Nut Riveter
- \*\* NOTE: Requires M8 Stud Rivet Mandrel, sold separately (Order Code: N023)

### Includes

- 50 x Rivet Stud Insert - M8 x 1.25mm
- 20mm thread length

Product Brochure For N028

Specific Features



Stud Range N024 28

Shown with Optional Mandrel Adaptors N023 and Riveter Set N001

Recommended Accessories

N001

Nut & Blind Riveter Set - 130 Piece



N023

Rivet Stud Mandrels - M5, M6, M8



N025

Rivet Stud Inserts - M5 x 0.8mm



N026

Rivet Stud Inserts - M6 x 1.0mm



N024

Rivet Stud Inserts - M4 x 0.7mm



N022

Rivet Stud Mandrel & Adaptor - M4

