

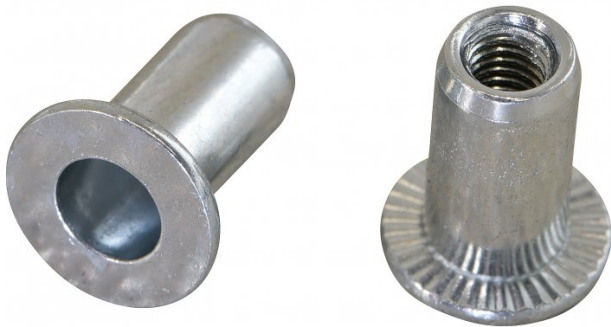
Product Brochure For N004

## Rivet Nut Inserts - M4 x 0.7mm

Steel - Zinc Plated  
 Qty 50 In Pack

**Ex GST**  
**\$9.00**

**Inc GST**  
**\$9.90**



ORDER CODE:	N004
MODEL:	-
Type:	-
Nut Insert Material (Type):	Steel - Zinc Coated
Quantity in Pack:	50
Rivet Nut Inserts Range (Metric):	-
Blind Rivets (mm):	-
Thread Size (T) (Metric):	M4 x 0.5
Thread Length (TL) (Metric):	-
Length (L) (mm):	10.5
Head Height (HH) (mm):	0.75
Head Diameter (HD) (mm):	9
Diameter (D) (mm):	5.8
Hole Size (HS) (mm):	6
Grip Range (GR) (mm):	0.25 - 2.50
Torque to Turn (Kgf.cm):	55



### Description

Suits ATR-10RN Air Operated or RNB40 Twin Handle Nut Riveters

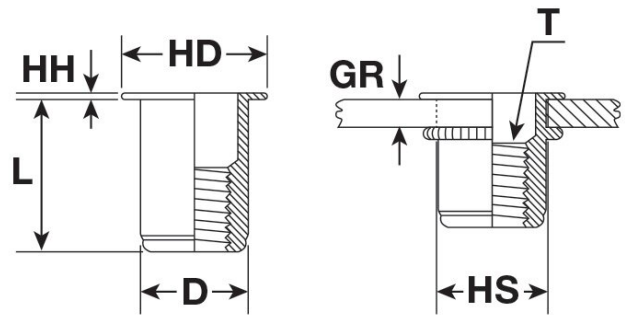
### Features

- Steel - Zinc Coated
- Fast & easy installation from one side
- Adds a threaded nut to thin sheet metal
- Knurled section under nut head for anti-rotation
- Easy to install
- \*\* NOTE: When used with RNB40 Nut Riveter, the M4 Nut Rivet Mandrel and Adaptor is required, sold separately (Order Code: N0022)

### Includes

- 50 x Rivet Nuts Inserts - M4 x 0.7mm

## NUT INSERT



UNINSTALLED

INSTALLED

Product Brochure For N004

Specific Features



Packaging Front



Packaging Back

Recommended Accessories

N001  
 Nut & Blind Riveter Set - 130  
 Piece



N0022  
 NUT RIVET MANDREL &  
 ADAPTOR



N006  
 Rivet Nut Inserts - M6 x 1.0mm



N008  
 Rivet Nut Inserts - M8 x 1.25mm



N010  
 Rivet Nut Inserts - M10 x 1.5mm



N015  
 Rivet Nut Inserts - M5 x 0.8mm



N016  
 Rivet Nut Inserts - M6 x 1.0mm



N018  
 Rivet Nut Inserts - M8 x 1.25mm



Product Brochure For N004

---

N020

Rivet Nut Inserts - M10 x 1.5mm

