

Product Brochure For M725

Vernier Caliper

200mm / 8"
 Fine Adjuster

Ex GST
\$35.00

Inc GST
\$38.50



ORDER CODE:	M725
Range:	200mm / 8"
Graduations:	0.02mm / 0.001"
Accuracy (mm):	±0.03
A (mm):	50
B (mm):	24
C (mm):	18
D (mm):	16
L (mm):	305
4 Way (Yes / No):	Yes

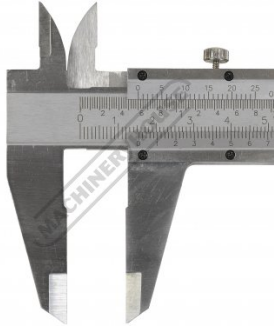


Features

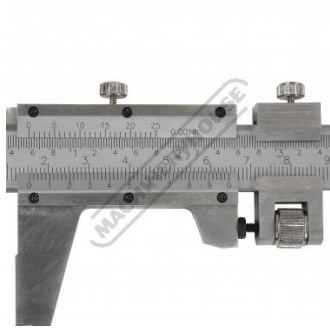
- Manufactured from stainless steel
- Measuring faces are ground and lapped
- Graduations are clear and easy to read
- Both metric and imperial graduations
- 4-way measuring
- Fine Adjustment
- All models have a position lock

Product Brochure For M725

Specific Features



Internal-External Measuring Jaws



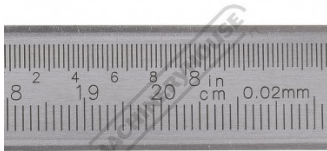
Vernier Head Lock Screw & Fine Adjustments



Height Measuring Slide



Depth Measuring Blade



Metric-Imperial Scale