

Product Brochure For M529

Face Mill 90° - Positive Rake - ME50TMT x 3MT

Ø50mm

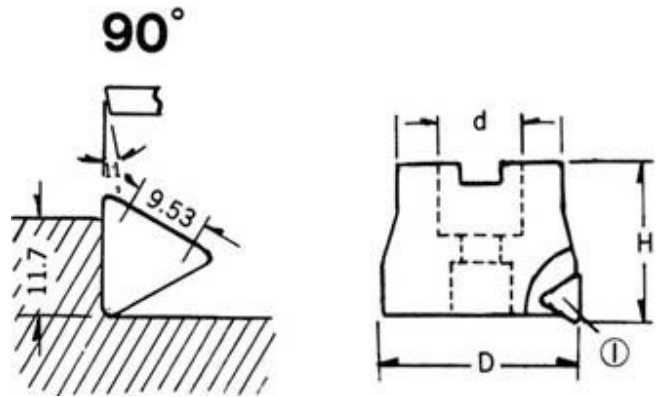
Insert tip not included

Ex GST
 \$110.00

Inc GST
 \$121.00



ORDER CODE:	M529
MODEL:	ME50TMT
Cutter Approach Angle (deg):	90°
D (mm):	50
D1 (mm):	~
H (mm):	~
d (lowercase):	3MT
Drawbar Thread:	1/2" whitworth
Number of Inserts (No.):	3
Replacement Insert Tips:	(L066)
Nett Weight (kg):	0.70



Description

POSITIVE RAKE FACE MILL - 50mm x 90°
 Use carbide inserts (ISO) TPKN1603 (L0661) or TPMN1603 (L066)
 NOTE: Carbide Inserts not included

Features

- One piece 3MT shank and cutter
- Suitable for steel, cast iron and non-ferrous metals
- True shoulder 90° cutter
- General purpose cutter
- Positive rake
- Suits 1/2" whitworth drawbars

Includes

- Lock key for insert

Product Brochure For M529

Recommended Accessories

L066

KYOCERA Carbide Inserts -
Milling



ML100

Cutter Part - Screw



ML200

Cutter Part - Clamp



ML300

Cutter Part - Spring



ML400

Cutter Part - Key

