

Product Brochure For M3000

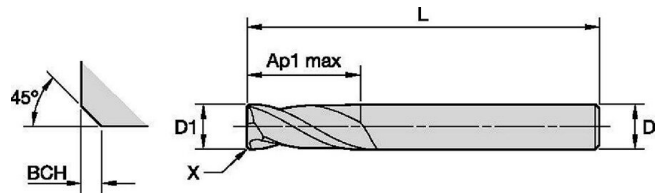
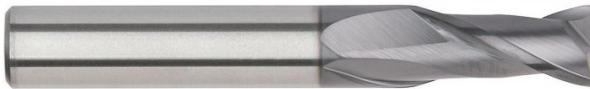
4mm Solid Carbide Slot Drill

GOmill™ General Purpose Plain Shank
 2 Flute

Ex GST
\$32.00

Inc GST
\$35.20

ORDER CODE:	M3000
Type:	Slot Drill
Flute:	2
Unit of measurement:	Metric
Effective Cutting Diameter (D1):	4.0 mm
Shank (D):	6.0 mm
1st Maximum Cutting Depth (Ap1max):	8.0 mm
Overall Length (L):	57.0 mm
Corner Chamfer Width (BCH):	0.10 mm



Description

The GOmill™ GP series offers plunging, slotting, and profiling with long tool life on a wide range of workpiece materials. They are designed to provide high Metal Removal Rates (MRR) and achieve good surface quality at an excellent cost-benefit ratio. A wide range of diameters and lengths are available with chamfered edge and ball nose as stocked standard.

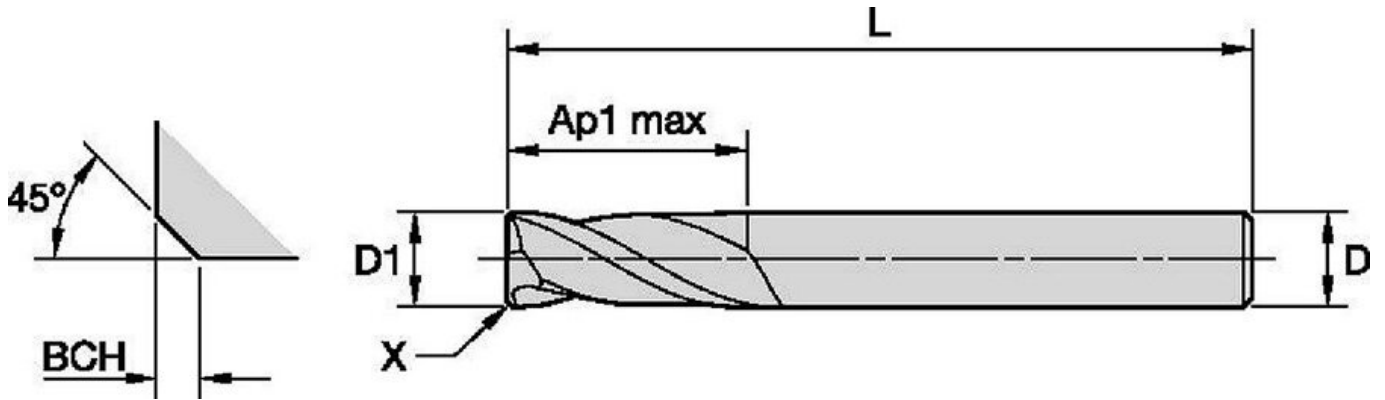
Uses and Applications

- Plunge Milling
- Ramping: Blank
- Slotting: Square end
- Side Milling/Shoulder Milling: Square End
- Corner Style: Corner Chamfer
- Helix Angle: 30°

Features

- Solid carbide end mill with stepped parallel shank according to DIN 6527.
- Solid carbide end mill with excellent cost-benefit ratio.
- Eccentric relief increases cutting edge stability for long tool life and high surface quality.
- Eccentric relief eases regrinding and reduces reconditioning cost.
- Center cutting for plunging and ramping operations.

Product Brochure For M3000



Specific Features



2 Flute