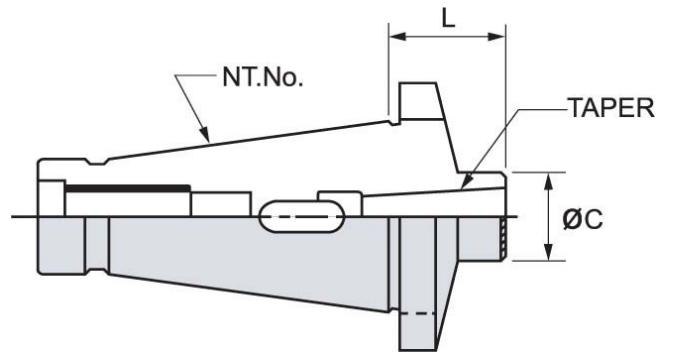


Product Brochure For M1724

NT40-NT30 Milling Adaptor

Ex GST \$100.00 Inc GST \$110.00

ORDER CODE:	M1724
MODEL:	NT40-NT30
Outer Taper:	NT40
Inside Taper:	NT30
Drawbar Thread (mm / inch):	~
L (mm):	15
C (mm):	~
Nett Weight (kg):	1.00



Description

Precision reducing adaptor for NT40 to NT30

Features

- External and Internal taper precision ground
- Please Note:
- Requires a M12 drawbar to be made long enough to reach NT30 holder
- Not recommended for use on machines with air powered drawbar

NT40 x NT30 Adaptor



M12 Drawbar

Drawbar needs to go through Adaptor
and secure into the NT30 Tooling