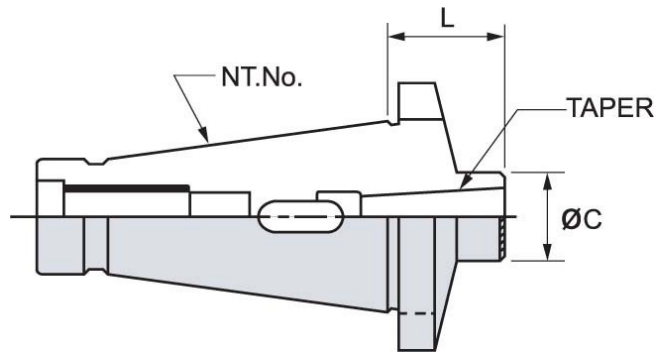


Product Brochure For M172

NT40-MT4-93 Milling Adaptor

<b>Ex GST</b>	<b>Inc GST</b>
<b>\$95.00</b>	<b>\$104.50</b>

ORDER CODE:	M172
MODEL:	NT40-MT4-93
Outer Taper:	NT40
Inside Taper:	MT4
Drawbar Thread (mm / inch):	16mm
L (mm):	93
C (mm):	48
Nett Weight (kg):	1.50



**Description**

Precision ground and hardened.  
 Morse taper adaptors are used to adapt a Morse taper tool or cutter to any spindle taper