

Product Brochure For M084

Dial Indicator - Metric - 513-415T

0,1mm, 0,01mm, 4/8mm Stem



Ex GST
\$270.00

Inc GST
\$297.00

ORDER CODE:	M084
Range:	1 mm
Graduations:	0.01mm
A (mm):	~
B (mm):	~
B1 (mm):	~
C (mm):	~
D (mm):	~
d (mm):	~
E (mm):	~
F (mm):	~
G (mm):	~
H (mm):	~
I (mm):	~
J:	~
K (mm):	~
L (mm):	~
L1 (mm):	~
Ø (mm):	~

Mitutoyo



Description

Mitutoyo dial indicator

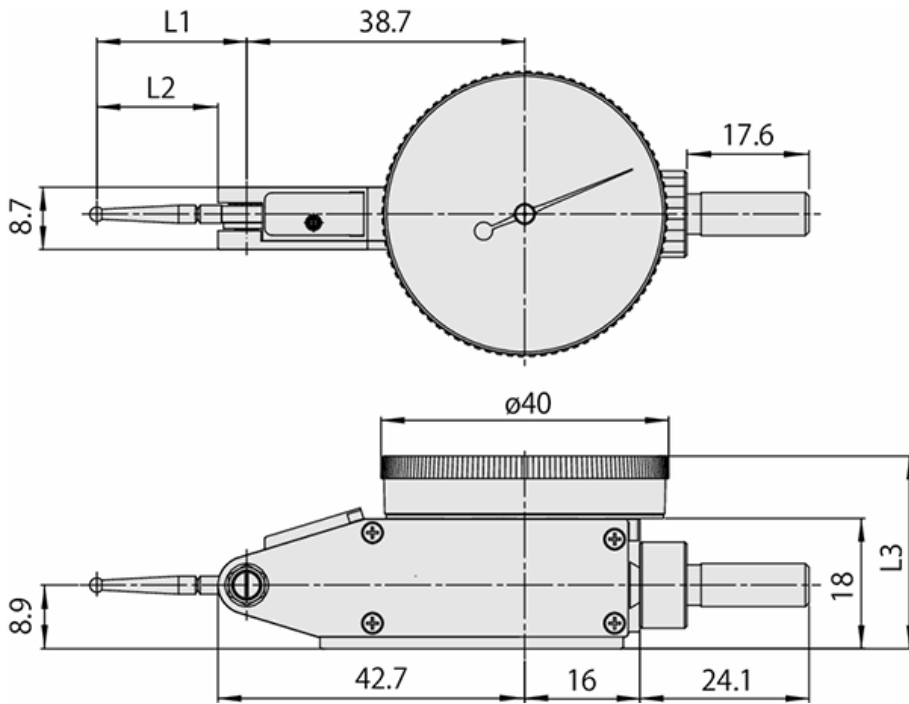
Features

- Anti-magnet
- Compact
- Double scale spacing
- With revolution counter
- Long stylus
- No clutch structure for automatic reversal of measuring direction
- Jeweled bearing - for high sensitivity and quick response
- Glare-free flat crystal face has scratch resistant coating
- One piece bezel and "crystal" design O-ring are water and dust resistant

Includes

- Stylus, ø2mm contact point (carbide)
- Stylus, ø1mm carbide point
- Stylus, ø3mm carbide point
- Knurled clamp ring
- Stem, ø8mm
- Stem, ø4mm
- Swivel clamp (for ø4mm, ø8mm, dovetail)
- Metric holding bar (L:100mm)
- Storage box

Product Brochure For M084



Specific Features



Parts

Product Brochure For M084

Recommended Accessories

M050

Magnetic Base - Standard



M051

Magnetic Base - Deluxe - One Lock



Q430

Magnetic Base - Small



Q435

Magnetic Base - Large



Q4351

Magnetic Base - Large



Q436

Magnetic Base - One Lock (Large)

