

Product Brochure For L7112

CNC Turning Centre - PUMA DNT2600M C Axis

Please Call



ORDER CODE:	L7112
MODEL:	PUMA DNT2600M
Swing (mm):	630
Max Turning Diameter (mm):	365
Turning Length (mm):	610
Chuck Diameter (mm):	250
Bar Diameter Capacity (mm):	81
Tool Stations (No.):	12
Spindle Speed (rpm):	3500
Spindle Motor (kW):	22
Guideways:	Box Guideway
Control:	DN Solutions Fanuc I Series (0i-Plus)
Programming:	EZI Guide Conversational
C Axis Resolution (deg):	0.001
Milling Speed (rpm):	5000
Milling collets:	ER2
Sub Chuck Diameter:	~
Y Axis Travel:	~



Description

Basic Specifications

- 650mm Swing Over Bed
- 460mm Swing Over Saddle
- 610mm Turning Length
- 365mm Turning Ø
- 3600 (0.0010 Resolution) C Axis

Main Spindle

- 81mm Bar Capacity
- 255mm Ø Hydraulic Chuck
- 3500RPM Spindle Speed
- 26kW Spindle Power
- 735Nm Spindle Torque

Tailstock

- MT5
- 100mm Quill Ø
- 100mm Quill Travel
- Programmable Positioning

Turret

- BMT 65 Tool Mounting
- 5000RPM Live Tool Speed
- 5.5kW Live Tool Power
- 70Nm Live Tool Torque
- 12 Station Turret
- 25mm Square / 40mm Ø Tool Capacity
- ER32 Live Tool Collet Size
- Eppinger Preci-Flex Tooling System

CNC Control

- DN Solutions Fanuc I Series (0i-Plus) CNC Controller
- 15" Colour LCD Monitor
- Rigid-synchronised tapping
- Custom Macro B

Product Brochure For L7112

- Ethernet Interface
- RS232 Interface
- USB & PCMCIA Memory Card Slot
- Doosan Ezi Guide "I" Conversational software:
- Graphical Turning Cycles
- Graphical Milling Cycles
- Full 3D Graphical Simulation
- Onboard G & M code assistance
- + more

Standard Equipment - Included

- 3 Jaw Hydraulic Power Chuck
- Eppinger rotary tool holders with Preci-Flex adapter set
- Coolant supply equipment
- Foot switches
- Transformer
- Full enclosure chip and coolant shield with front door interlock
- Hand tool kit
- Automatic lubrication equipment
- Comprehensive manuals incorporating, Operation, Maintenance, Programming, Spare Parts Diagrams, Hydraulic Schematics, Electrical Schematics and Ladder Diagrams.
- Safety name plates / tags where required
- Risk assessment
- Work light

Optional Equipment Included

- Chuck open close confirmation proximity switches
- Chip Conveyor (Side Discharge, Hinged Belt)
- Auto Tool Setter (Hydraulically operated)
- Coolant Oil Skimmer
- 7 Bar High Pressure Coolant
- Barfeed Interface
- Programmable Tailstock

Standard Turret Tool Holder Package Included

- 4 x OD Tool Holder (R & L)
- 3 x ID Tool Holder
- 1 x Face Tool Holder (R & L)
- 1 x U Drill Cap
- 2 x Straight Milling Unit
- 2 x Angular Milling Unit
- 1 x Boring Sleeve Kit
- 1 x U Drill Sleeve Kit
- 1 x Preci-Flex Adapter Kit
- 1 x ER 25 Milling Collet Set
- 1 x Hard & Soft Jaws

Local Service and Support

- Commissioning & Testing Included
- Comprehensive Operator Training Included
- Hare and Forbes In House Service And Applications Staff
- Ongoing Support For Life Of The Machine

Features

- Doosan Machine Tools changes its name to DN Solutions
- Read more at:

Product Brochure For L7112

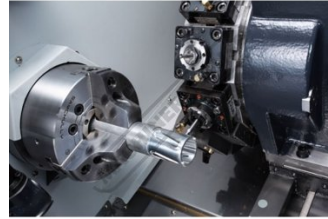
Specific Features



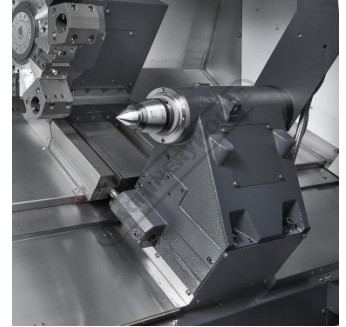
Puma GT Frame



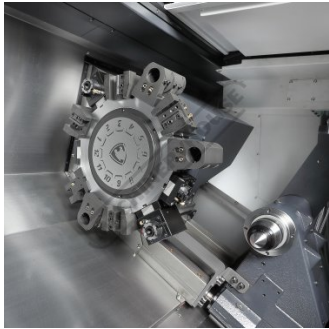
Puma GT Hobbing



Puma GT Milling



Tailstock



Turret



PUMA DNT 2600LM Front View