

Product Brochure For L296

Quick Change Toolpost - Model B

230mm Lathe Centre Height

Ex GST
\$650.00

Inc GST
\$715.00



| | |
|---------------------------|---------|
| ORDER CODE: | L296 |
| MODEL: | B |
| Lathe Centre Height (mm): | 230 |
| Lathe Swing (mm): | 460 |
| A (mm): | 18 |
| B (mm): | 15 |
| C (mm): | 100 |
| D (mm): | 125 |
| E (mm): | ~ |
| H (mm): | 47 - 65 |
| h (mm): | 85 |
| S (mm): | 30 |
| T (mm): | 32 |
| Y (mm): | ~ |
| Number of Sides (No.): | 3 |
| Number of Holders (No.): | 5 |
| Nett Weight (kg): | 22 |



Description

Manufactured from carbonized and hardened steel.
 Italian design style.

Features

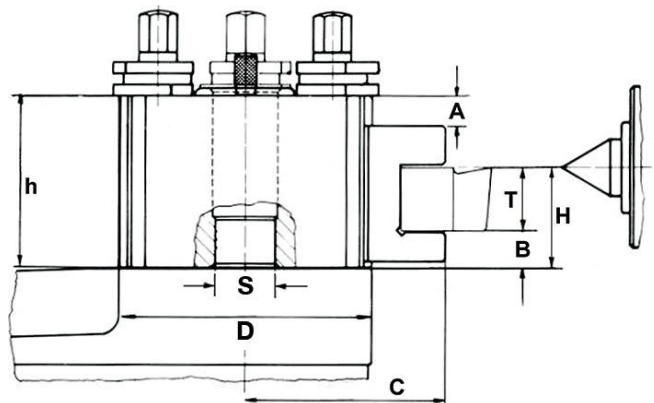
- All bearing surfaces are precision ground to ensure rigidity
- Handy lathe accessory for tool rooms and general engineering shops
- Ease of operation cuts set-up time by 90%
- No shims are required to adjust tools to correct centre height
- Easily fitted to most centre lathes
- Please Note: Some machining required to suit your lathe

Includes

- 4 x Square Tool Holders - for 32mm tools
- 1 x Vee Tool Holders - for boring bars

Optional Accessories

- Holders - L296A



Product Brochure For L296

Recommended Accessories

L296A

Quick Change Toolpost Holder -
Std



L2901

Toolpost T-Handle



L2906

Toolpost Spanner



L634D

Centre Lathe

