

Product Brochure For L0625

KENAMETAL Carbide Inserts - Turning - TCGT 110204 HP

Grade KC5410 - Aluminium
 5 Inserts Per Pack

Back In Stock Soon

Ex GST Inc GST
\$100.00 \$110.00



ORDER CODE:	L0525
MODEL:	TCGT 110204 HP
Grade:	KC5410
Application:	Aluminium
Pieces in Set (Qty):	5
[D] Insert IC Size (Inscribed Circle) (mm):	6.35
[D1] Insert Hole Size (mm):	2.8
[L10] Insert Cutting Edge Length (mm):	11
[S] Insert Thickness (mm):	2.38
[R?] Corner Radius (mm):	0.4
Relief Angle (Deg):	~
d (mm):	~
Insert shape (Style):	Triangle



Description

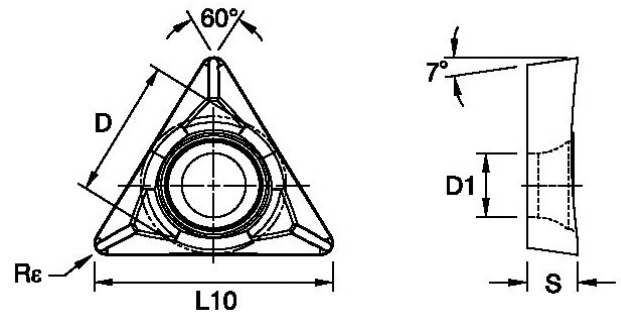
KC5410 Grade - Aluminium

Manufactured in Germany, the KENAMETAL KC5410 HP insert is designed for high-performance machining of aluminium and other non-ferrous materials. Its premium PVD-coated carbide grade provides excellent wear resistance, smooth chip flow and superior surface finishes. Ideal for roughing, semi-finishing and finishing operations, it also performs well on nylon and plastics.

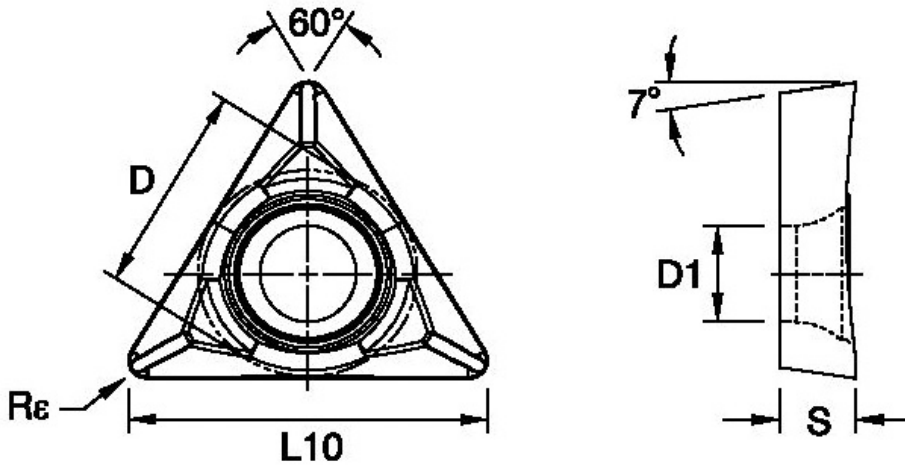
The "HP" indicates a high-positive, light-feed chipbreaker designed to achieve excellent finishes and prevent built-up edges

Features

- Made in Germany for exceptional quality and precision.
- Premium PVD-coated insert on a highly deformation-resistant unalloyed substrate for extended tool life.
- Optimised high-positive cutting geometry ensures smooth cutting action, reduced cutting forces and excellent chip control
- Specifically designed for high-performance turning of aluminium. Also suitable for machining nylon, plastics and timber
- Supplied in a convenient pack of 5 inserts



Product Brochure For L0625



Specific Features



Tip

Recommended Accessories

L017
 Right Hand Turning Tool Holder

L018
 Left Hand Turning Tool Holder

L021
 Right Hand Boring Bar

L022
 Right Hand Boring Bar



Product Brochure For L0625

L525

Screw to Suit Turning Tool
Holder



L526

Key to Suit Tool Holder

