

Product Brochure For L0542

## KENAMETAL Carbide Inserts - Turning - TCGT 16T304 HP

Grade KC5410 - Aluminium

5 Inserts Per Pack

**Back In Stock Soon**

Ex GST  
**\$105.00**

Inc GST  
**\$115.50**



ORDER CODE:	L0542
MODEL:	TCGT 16T304 HP
Grade:	KC5410
Application:	Aluminium
Pieces in Set (Qty):	5
[D] Insert IC Size (Inscribed Circle) (mm):	9.53
[D1] Insert Hole Size (mm):	4.4
[L10] Insert Cutting Edge Length (mm):	16.5
[S] Insert Thickness (mm):	3.97
[R?] Corner Radius (mm):	0.4
Relief Angle (Deg):	~
d (mm):	~
Insert shape (Style):	Triangle



### Description

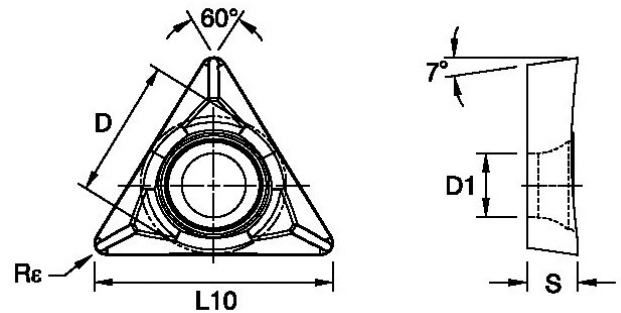
KC5410 Grade - Aluminium

Manufactured in Germany, the KENAMETAL KC5410 HP insert is designed for high-performance machining of aluminium and other non-ferrous materials. Its premium PVD-coated carbide grade provides excellent wear resistance, smooth chip flow and superior surface finishes. Ideal for roughing, semi-finishing and finishing operations, it also performs well on nylon and plastics.

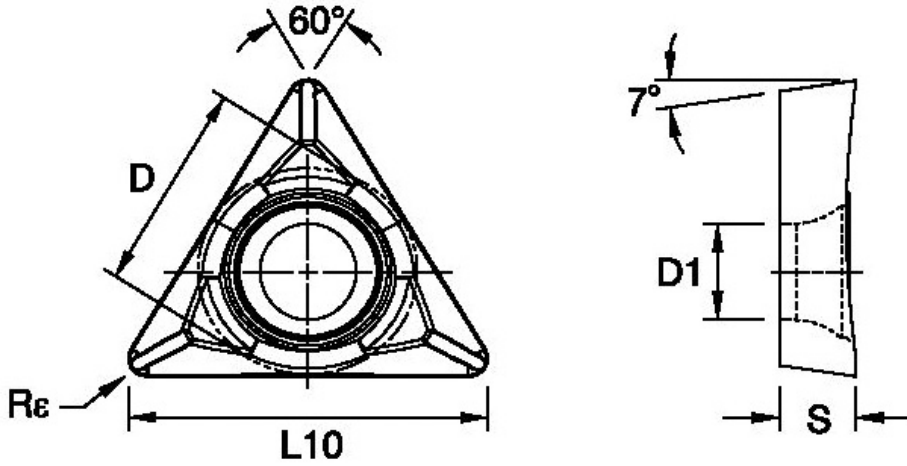
The "HP" indicates a high-positive, light-feed chipbreaker designed to achieve excellent finishes and prevent built-up edges

### Features

- Made in Germany for exceptional quality and precision.
- Premium PVD-coated insert on a highly deformation-resistant unalloyed substrate for extended tool life.
- Optimised high-positive cutting geometry ensures smooth cutting action, reduced cutting forces and excellent chip control
- Specifically designed for high-performance turning of aluminium. Also suitable for machining nylon, plastics and timber
- Supplied in a convenient pack of 5 inserts



Product Brochure For L0542



**Specific Features**



Tip

**Recommended Accessories**

L044  
 Right Hand Turning Tool Holder

L045  
 Left Hand Turning Tool Holder

L047  
 Left Hand Turning Tool Holder

L048  
 Right Hand Turning Tool Holder



Product Brochure For L0542

L0235  
Right Hand Boring Bar



L024  
Right Hand Boring Bar



L527  
Seat to Suit Turning Tool  
Holders



L5315  
Seat Pin to Suit Turning Tool  
Holders



L535  
Clamp to Suit Turning Tool  
Holders



L5365  
Clamp Screw to Suit Boring Bar

