

Product Brochure For K0214

## Electric Chain Hoist Package Deal - TECH0203

2 Tonne x 3 Metre Lift

Single Speed: 3m/min. Lift Speed, Includes 6 Slings, 4 Bow Shackles & Girder Trolley



ORDER CODE:	K0214
MODEL:	TECH0203 Package Deal
Capacity (Tonne):	2
Lift Height (Metre):	3
Lift Speed (m/min):	3
Motor Power (W):	1200
Voltage (V):	240



### Description

Thermal Prevention Device Fitted

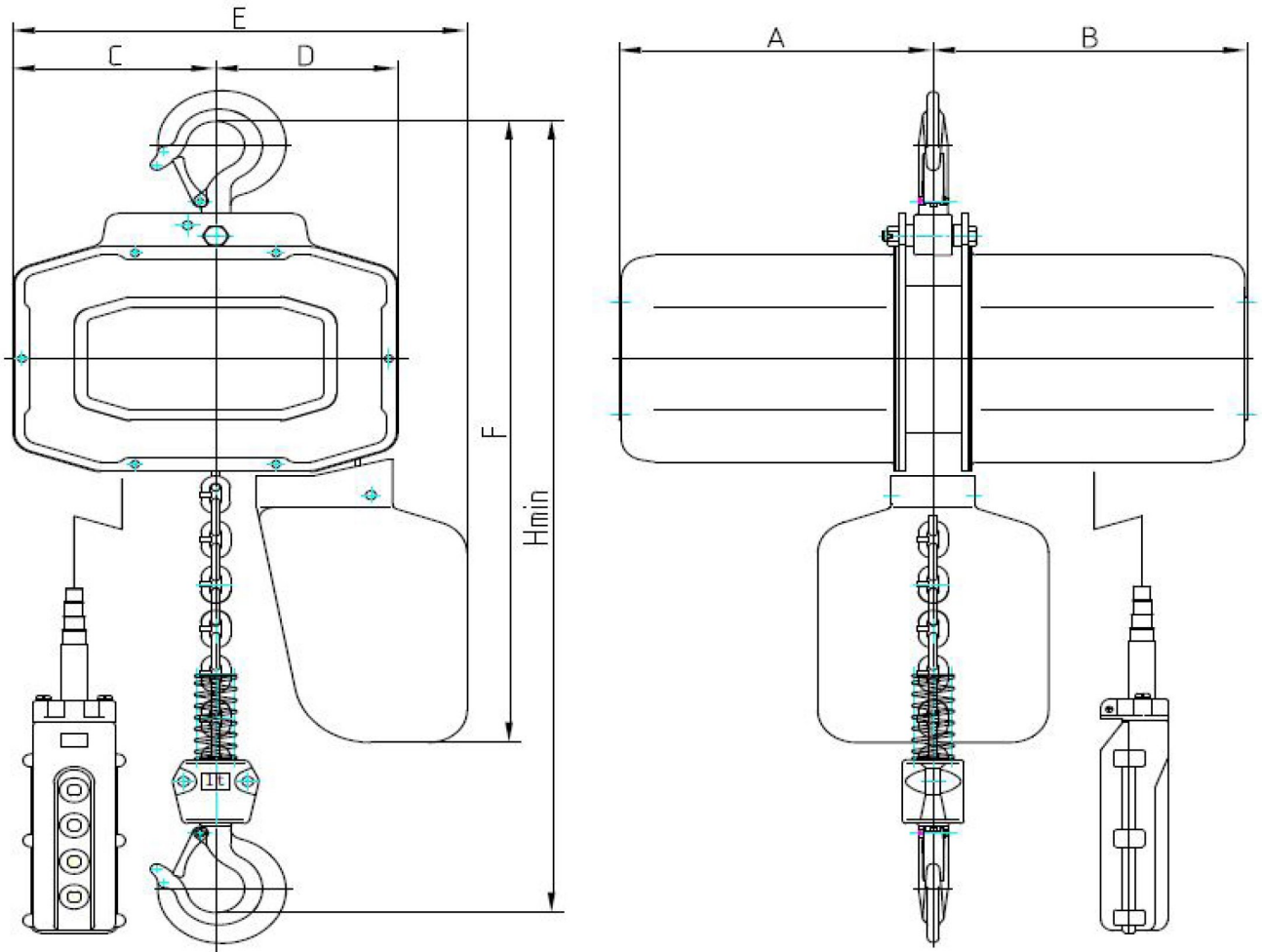
### Features

- Light weight, compact design with high efficiency motor
- Pressed steel structure, high strength body
- High tensile alloy steel top & bottom hooks
- Grade 80 - 7.1mm Alloy Steel load chain
- Limit switches fitted at top and bottom ends to prevent chain run-out
- High quality chain 7.1mm diameter
- 240V , 50Hz Single speed Motor 1200 Watts

### Includes

- 1 x 2T x 3M hoist (H254)
- 1 x 2T Girder Trolley (C181B)
- 2 x 2T x 0.5 metre slings (H311)
- 2 x 2T x 2 metre slings (H314)
- 2 x 2T x 4 metre slings (H313)
- 2 x 2T x 13mm bow shackles (H352)
- 2 x 3.2T x 16mm bow shackles (H354)

## Main Dimension of TECH Series Electric Chain Hoist



Model	TECH0103 / TECH0106	TECH0203 / TECH0206
A	245	245
B	245	245
C	158	124
D	142	176
E	350	350
F	600	610
H	520	630

Product Brochure For K0214

**Recommended Accessories**

C148  
 Girder Trolley



H311  
 Round Slings



H310  
 Round Slings



H314  
 Round Slings



H315  
 Round Slings



H312  
 Round Slings



H313  
 Round Slings



H322  
 Flat Slings



Product Brochure For K0214

---

H324  
Flat Sling

