

Product Brochure For H257

Compact Wire Rope Hoist - TBH250

250kg Lifting Capacity
 30 Metre Lifting Height



Ex GST **Inc GST**
\$1,027.27 **\$1,130.00**

ORDER CODE:	H257
Model:	TBH250
Brand:	TOHO
Lifting Capacity (kg):	250
Lifting Height (Metre):	30
Speed (m/min):	19
Pendant Control Length (Metre):	10
Wire Rope Diameter (mm):	5
Motor Output (kW):	1.5
Voltage (V):	240
Nett Weight (kg):	22



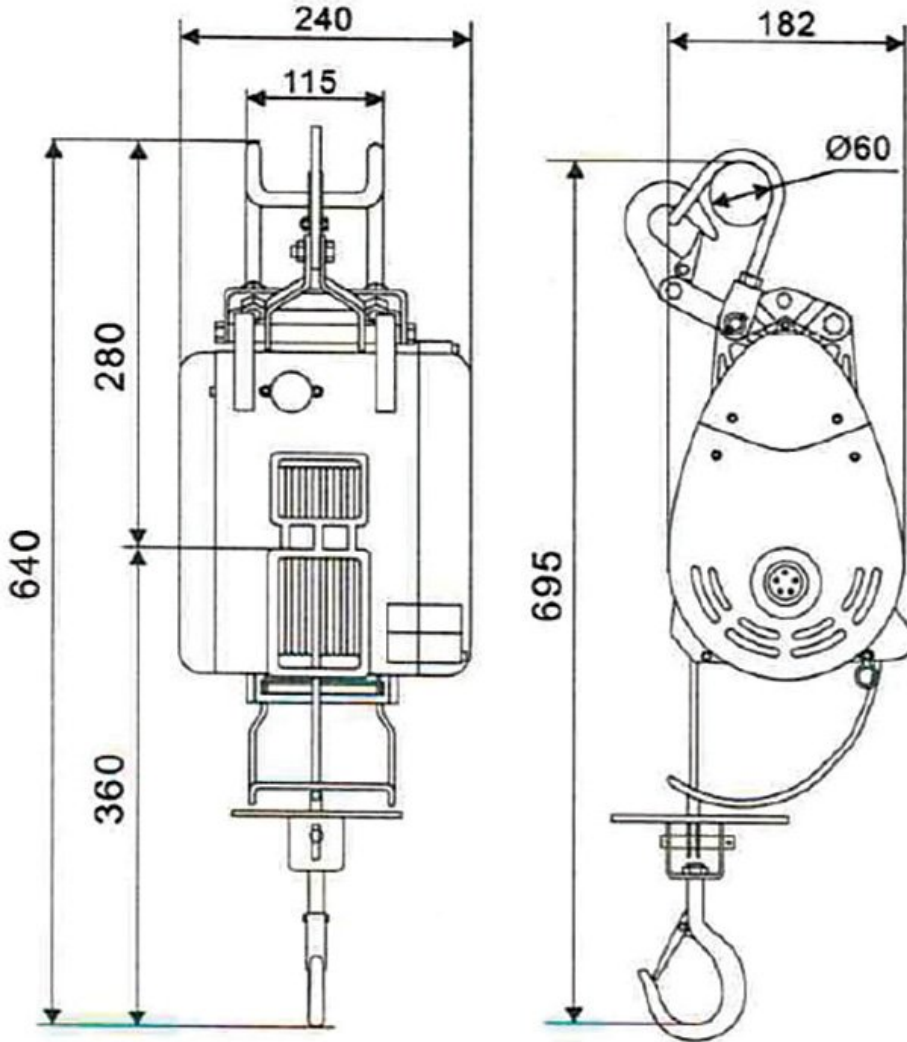
Description

Designed for use on building sites and multi-storey units, these compact electric rope hoists are also suitable for a wide range of applications in warehouses, storage areas, factories, etc.

Features

- Light weight and compact design allowing for easy installation
- Automatic upper limit switch, when rope disc touches the limit arm, hoisting is automatically stopped
- Lower overwind limit switch
- Dynamic and mechanical brake providing instant and safe braking
- Convenient 240 volt/single phase power supply
- Sensor arm automatically stops motor if the wire rope is under-wound
- Wire rope with 360° weighted hook with safety latch
- Supplied with 3 metre power lead and industry plug & 10 metre heavy duty IP65 waterproof pendant control
- Complies with AS/NZS 1418.2 standard

Product Brochure For H257



Product Brochure For H257

Recommended Accessories

C147
Girder Trolley



H300
Round Sling



H316
Flat Sling



H305
Round Sling



H318
Flat Sling



H308
Round Sling



H307
Round Sling



H320
Flat Sling



Product Brochure For H257

H310
Round Sling

H314
Round Sling

H322
Flat Sling

H312
Round Sling



H324
Flat Sling

