

Product Brochure For H2553

Electric Chain Hoist - TECH3PH2SP0206

2 Tonne x 6 Metre Lift
 Two Speed: 3m/min. Lift Speed



Special Order

Ex GST	Inc GST
\$3,730.00	\$4,103.00

ORDER CODE:	H2553
MODEL:	TECH3PH2SP0206
Capacity (Tonne):	2
Lift Height (Metre):	6
Lift Speed (m/min):	2.2
Motor Power (W):	3.0kw
Voltage (V):	415



Description

The TOHO Three Phase 415V Electric Chain Hoist is purpose-built for heavy-duty lifting applications, providing the strength and reliability required to move larger and heavier loads with ease.

Backed by TOHO's reputation for quality, durability, and performance, this hoist delivers dependable operation across a wide range of industrial environments. With decades of proven reliability in Australasia, TOHO electric chain hoists are trusted for demanding applications where safety and efficiency are critical.

Each model is tested in accordance with AS1418.2 standards, ensuring compliance and peace of mind. Designed for versatility, the TOHO 3-Phase hoists offer an extensive operating range that makes them well-suited to most lifting applications.

Features

- Light weight, compact design with high efficiency motor
- Pressed steel structure, high strength body
- High tensile alloy steel top & bottom hooks
- Grade 80 - 7.1mm Alloy Steel load chain
- Limit switches fitted at top and bottom ends to prevent chain run-out
- High quality chain 7.1mm diameter
- 415V, 50Hz Dual speed Motor 3.0kw. (3 Phase)
- Complies with ASNZS 1418.2 standard
- IP Rating Hoist: IP54 Control: IP65

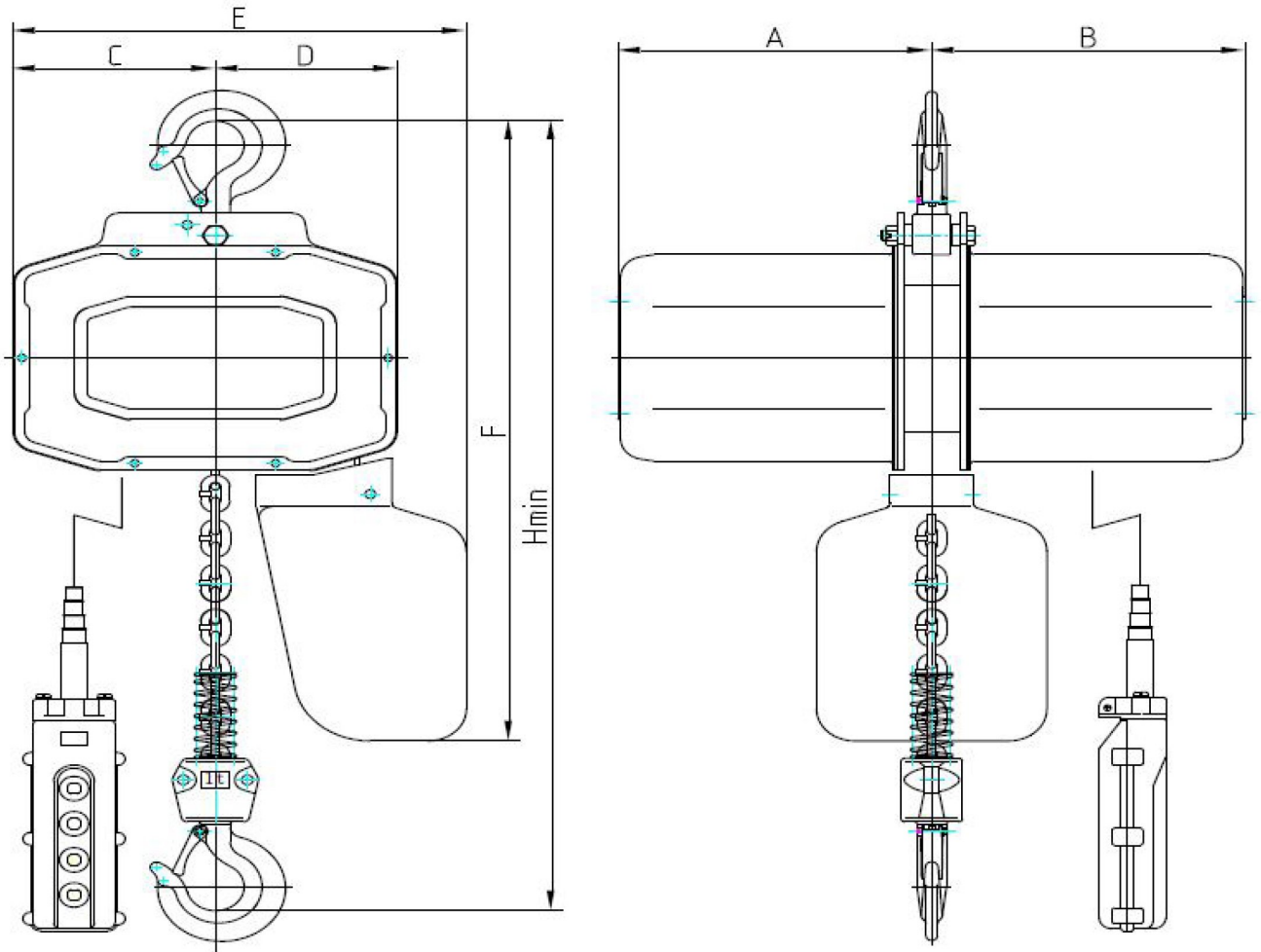
Includes

- Thermal Prevention Device Fitted
- Limit switches fitted at top and bottom ends to prevent chain runout
- Load Limited

Optional Accessories

- Available with customisable chain lengths and an optional wireless remote for added convenience (additional costs may apply)

Main Dimension of TECH Series Electric Chain Hoist



Model	TECH0103 / TECH0106	TECH0203 / TECH0206
A	245	245
B	245	245
C	158	124
D	142	176
E	350	350
F	600	610
H	520	630

Product Brochure For H2553

Recommended Accessories

C148
 Girder Trolley



H311
 Round Sling



H310
 Round Sling



H314
 Round Sling



H315
 Round Sling



H312
 Round Sling



H313
 Round Sling



H322
 Flat Sling



Product Brochure For H2553

H324
Flat Sling



H352
13mm 2T Grade S - Lifting Bow
Shackle

