

Product Brochure For H2304

## HAFCO Brushless Series 500 Compact Wire Rope Hoist - HBWH500

500kg Lifting Capacity  
 30 Metre Lifting Height



ORDER CODE:	H2304
Model:	HBWH500
Brand:	HAFCO
Lifting Capacity (kg):	500
Lifting Height (Metre):	30
Speed (m/min):	16
Pendant Control Length (Metre):	7
Wire Rope Diameter (mm):	6
Motor Output (kW):	2.8
Voltage (V):	240
Nett Weight (kg):	24



### Description

The HAFCO Brushless Series 500 Compact Wire Rope Hoist is a compact, high-performance lifting solution engineered for construction, glazing, material handling and general site applications. Delivering a 500kg rated capacity over 30 metres, this hoist combines advanced brushless motor technology with intelligent electronic control for reliable, efficient operation.

Powered by an industrial-grade permanent magnet brushless motor, the Series 500 provides high efficiency, reduced maintenance and extended service life compared to conventional brushed models. The integrated control system ensures stable performance, smooth speed regulation and enhanced operational safety.

Manufactured with a one-piece CNC-machined aluminium alloy housing and high-strength reduction gearing, the unit offers durable construction, low noise output and consistent braking performance. Its compact footprint makes it ideal for confined or elevated work areas without compromising lifting capability.

Designed for lifting curtain wall glass, façade panels, structural components, advertising boards and general building materials.

### Features

- 500kg Rated Lifting Capacity-Designed to safely lift loads up to 500kg, making it ideal for glazing panels, structural components, façade materials and general construction lifting tasks.
- Industrial-Grade Permanent Magnet Brushless Motor-High-efficiency brushless motor technology delivers greater reliability, reduced maintenance requirements and longer service life compared to traditional brushed motors.
- High Efficiency Design for Extended Duty Operation-Optimised motor and gearing system enables consistent performance during longer operating cycles with reduced heat build-up.
- Intelligent Integrated Circuit Control System (SCM Controlled)-Advanced electronic control module ensures stable performance, smooth speed response and improved operational safety.
- Plug-and-Pull Wiring System-Simplified electrical connection design for ease of installation, operation and maintenance.
- Short-Circuit Braking Control for Added Safety-Electronic braking backup system ensures immediate stopping capability in the event of power interruption.
- Overload Protection Device-Protects the motor and internal components from excessive loading, helping extend equipment lifespan and maintain safe operation.
- Temperature Protection System-Built-in thermal protection safeguards the motor against overheating during extended use.
- Enamelled Wire Temperature Resistance up to 200°C-High-temperature resistant motor windings enhance durability and allow operation under demanding working conditions.
- Stepless Speed Regulation-Variable speed control allows smooth lifting and lowering, improving load control and positioning accuracy.
- High Grade Wire Rope-High-quality grade 1960 6mm 7x19 wire rope ensures dependable lifting performance and extended service life.
- 4:1 Safety Factor Wire Rope Rating-Engineered with a four-times safety margin relative to rated capacity for added confidence in operation.

## Product Brochure For H2304

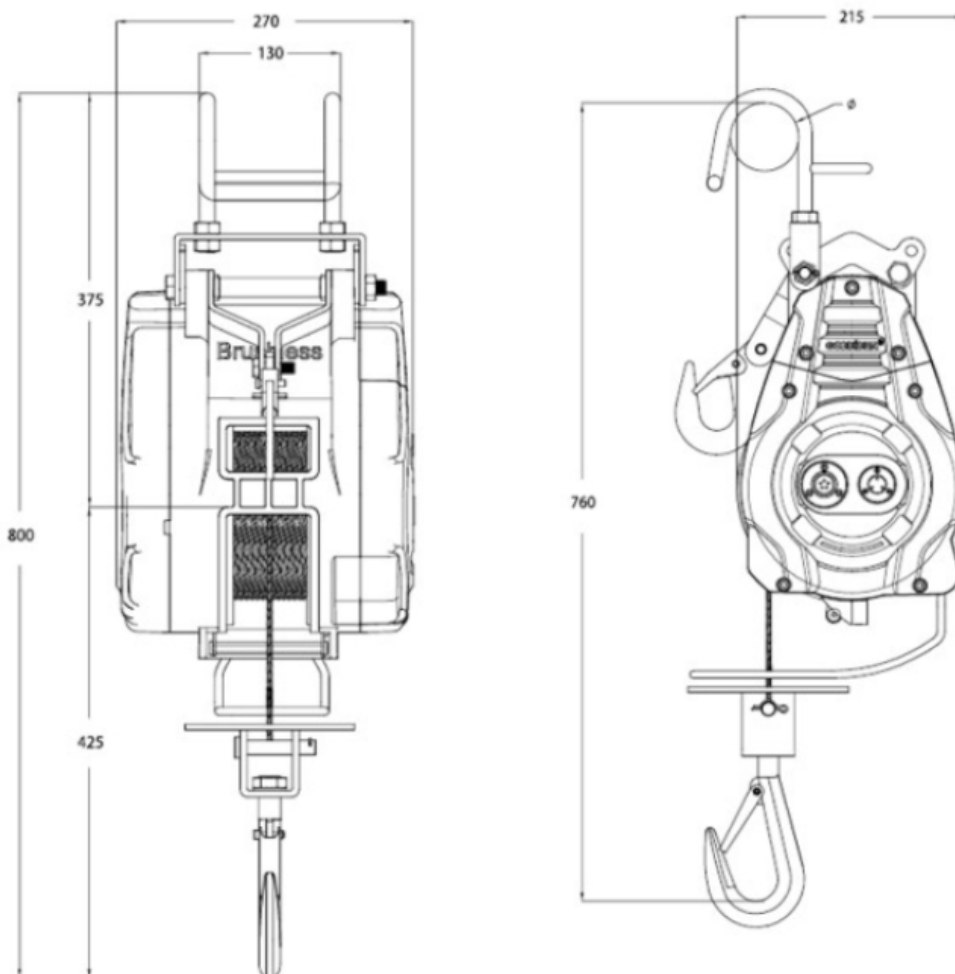
- Compact and Lightweight Structure-Designed for ease of handling, transport and installation, particularly in confined or elevated areas.
- Low Noise Operation-Smooth motor and gear design minimises operating noise, improving site working conditions.
- Colour Fast Rope Alert System-This feature is designed to help ensure a minimum of 5 wraps of wire rope remain on the drum at all times, assisting with safer operation and reducing the risk of rope pull-off or improper drum winding..
- 2800W Brushless 240V Motor
- 50% Duty Cycle
- 30m lift height
- 7m Length pendant controller
- Variable Speed 5 to 16m/min
- IP54 Rated Protection
- Complies with AS 1418.2 standard

### Includes

- Inspection & Test Certificate
- Instructional Manual
- 7M Wired remote control
- Cable clip- to prevent pulling
- Risk assessment

### Optional Accessories

- Wireless Remote Control- HBL PLUG AND PLAY WIRELESS



Product Brochure For H2304

**Specific Features**



Control handle with design patent

control



Design for hooks to prevent pulling

clip



Hot injection encapsulation process to prevent torsion breaking

injection



Brushless maglev motor

motor

**Recommended Accessories**

C147  
Girder Trolley

H300  
Round Slings

H316  
Flat Slings

H318  
Flat Slings



H308  
Round Slings

H307  
Round Slings

H320  
Flat Slings

H314  
Round Slings



Product Brochure For H2304

---

H322  
Flat Sling



H312  
Round Sling



H324  
Flat Sling

