

Product Brochure For E120

Electric Motor - CWC4012A1

1HP

600-1800rpm



ORDER CODE:	E120
MODEL:	CWC4012A1
Motor Power (kW / hp):	0.75 / 1
Speed (rpm):	Variable 600-1800
Shaft Diameter (mm):	Ø5/8"
Reversible Motor (Yes / No):	Yes
Fan Cooled (Yes / No):	Fan Cooled
Voltage (V):	240 / 10
Amps Required:	~
Input Power Supply Connection:	10



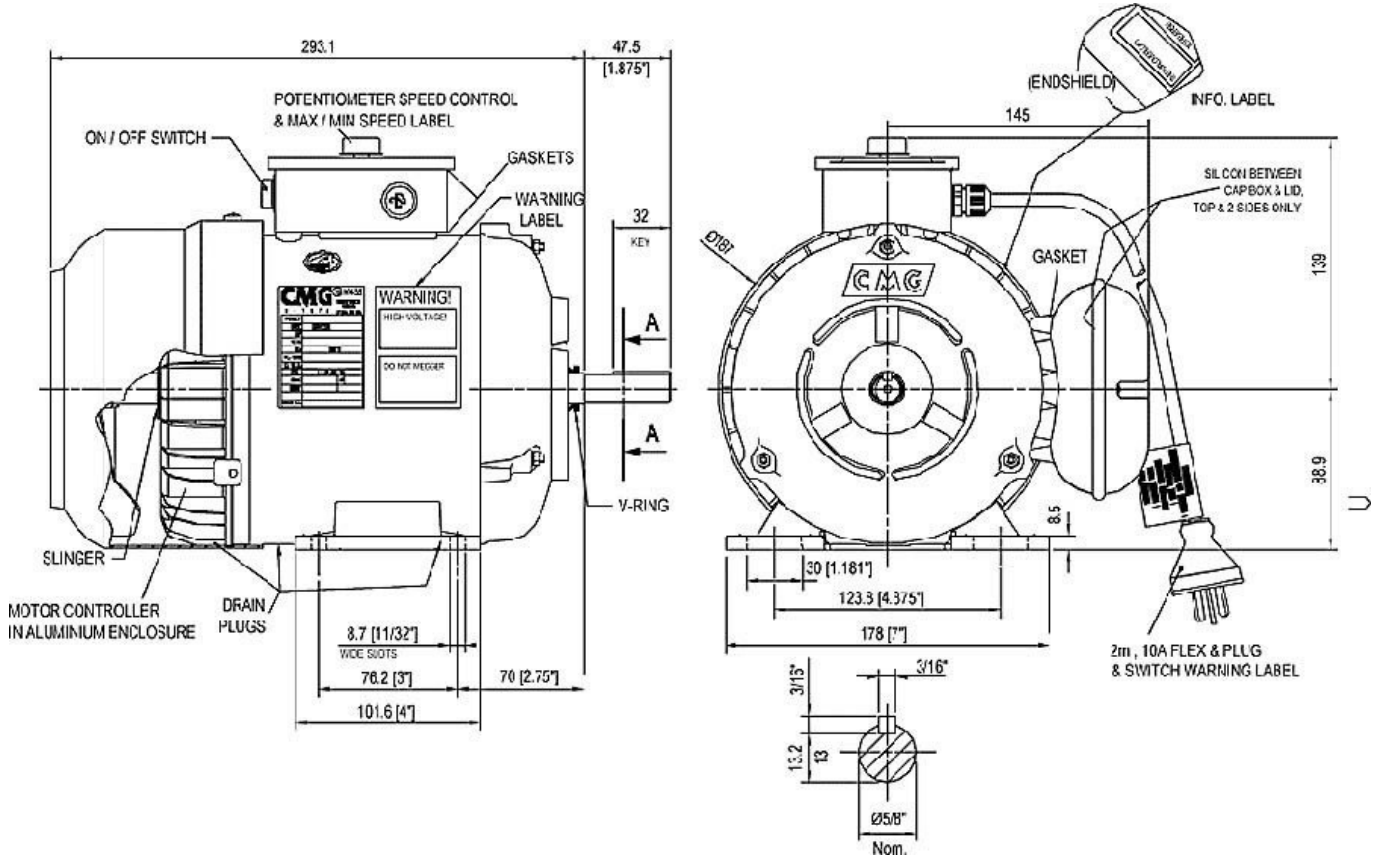
Description

Also available
 - Heavy duty SINGLE SPEED Models also available

Features

- Simple speed control
- No programming required
- Start/Stop, Fwd/Rev, Reset
- Foot mounted

Product Brochure For E120



Specific Features



Variable Speed Dial