

Product Brochure For D736A

# 1100mm Easson Digital Readout Scale

VS10 Standard Scale  
 5µm Resolution

**Ex GST**  
**\$390.00**

**Inc GST**  
**\$429.00**



|                                   |                     |
|-----------------------------------|---------------------|
| ORDER CODE:                       | D736A               |
| MODEL:                            | ~                   |
| Type:                             | VS10 Standard Scale |
| Travel - Maximum (mm):            | 1100                |
| Overall Length (L) (mm):          | 1246                |
| Scale Resolution (µm):            | 5                   |
| Grating Pitch:                    | ~                   |
| Accuracy (µm):                    | ±10                 |
| Output Signal:                    | ~                   |
| Connector:                        | ~                   |
| Cable Length (Metre):             | 5                   |
| Working Temperature (°C):         | ~                   |
| Sealing Protection Class:         | ~                   |
| Maximum Speed (M/min):            | ~                   |
| Reference Point:                  | ~                   |
| Width x Height (W x H) (mm):      | 27.5 x 33.5         |
| Backing Support Plate (Yes / No): | No                  |

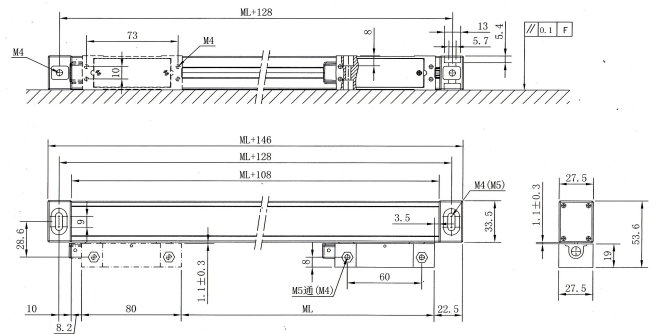


## Description

Easson VS series Glass Grating Linear Transducer: EASSON - Always committed to Quality, Technology & Innovation

## Features

- **DOUBLE SEAL DESIGNED SCALES:**
- The plastic seals of the transducer use an innovative material to offer superior oil resistance, high elastic recovery properties and durability, carefully designed lip geometry offer low slide resistance.
- **100% LASER CALIBRATION:**
- All glass grating transducers are individually inspected and calibrated by our in-house laser calibrator to ensure accuracy complies 100% with the specifications.
- **ADVANCED OPTICAL MEASURING SYSTEM:**
- The slide carrier of the VS series scales, use a five bearing design for optical grating linear transducer which has been proven as the most reliable system design in today's market.
- The glass grating slide-ways are lapped, and JIS standard P5 grade bearings are used to achieve smooth and accurate movement and long working life.
- **D.I.Y. INSTALLATION:**
- An easy-to-follow D.I.Y. Installation Manual is supplied with each system, complete with illustrations and mounting brackets.



| MODEL   |   | VS 10       |              |
|---|---|-------------|--------------|
| Measuring Standard  | Glass scale - Grating                   |             |              |
| Optical Detecting System  | Transmissive Infrared                   |             |              |
| Slide Carrier System  | Vertical five bearing supporting system | 45° support |              |
| Resolution  | 5µm                                     |             |              |
| Measurement Travel (100-1200mm)   | Every 50mm per length specification     |             |              |
| Measurement Travel (1300-3000mm)  | -                                       |             | Every length |
| Accuracy (100-450mm)<br>Accuracy (500-1000mm)<br>Accuracy (1050-1250mm)<br>Accuracy (1300-3000mm) | ±3 - ±5µm<br>±10µm<br>±10µm<br>-        |             |              |
| Repeatability   | 2µm                                     |             |              |
| Hysteresis  | 3µm                                     |             |              |
| Protection  | DIN                                     |             |              |
| Power Supply  | DC                                      |             |              |
| Output Signals  |   |             |              |

Product Brochure For D736A

**Specific Features**



DSub9 Male Plug

**Dsub 9**  
9 pin male connector plug

| Pin | TTL Signal | Cable Color | 422A Signal | Cable Color |
|-----|------------|-------------|-------------|-------------|
| 1   | —          | —           | A           | Yellow      |
| 2   | 0V         | Orange      | 0V          | White       |
| 3   | —          | —           | B           | Red         |
| 4   | Grnd       | Ground      | Grnd        | Ground      |
| 5   | —          | —           | R           | Black       |
| 6   | A          | Yellow      | A           | Green       |
| 7   | 5V         | Red         | 5V          | Brown       |
| 8   | B          | Green       | B           | Blue        |
| 9   | R          | Brown       | R           | Gray        |

Dsub9 Wiring Diagram



DIY Installation



Parts



Close Up

**Recommended Accessories**

**D709**  
Easson Scales - Extension Cable

**D710**  
Easson Scales - Extension Cable

**D772**  
Digital Readout Scale Mounting Bracket Kit

**D711**  
Adaptor Cable



Product Brochure For D736A

---

D712  
Adaptor Cable

