

Product Brochure For C961

Collet & Chuck Set - 9 Piece - NT30 x ER40

Collet Range Ø5 - Ø25mm
 "Made in Taiwan"



Package Deal

Ex GST	Inc GST
\$330.00	\$363.00

Package Contents - SAVE \$33.00 (Inc)

1 x C111 - Collet Chuck - NT30 x ER40 NT30 x ER40	\$176.00
1 x C957 - ER40 Collet Set - 7 Piece	\$176.00
1 x C969 - ER40 Collet Chuck Wrench	\$44.00
Normal Price (Inc):	\$396.00

ORDER CODE:	C961
Chuck Taper:	NT30
Collet Type:	ER40
Number of Collets (No.):	7
Collet Diameter Range (Ø):	6-5, 8-7, 10-9, 12-11 & 16-15, 20-19, 25-24mm
Drawbar Thread:	M12



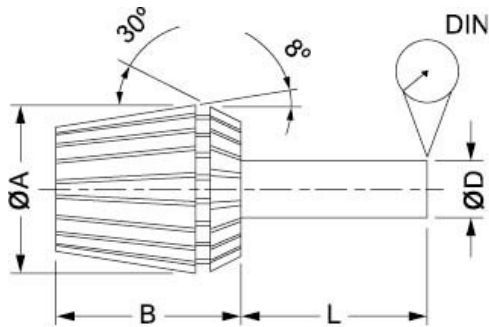
Description

Precision NT30 Chuck with ball bearing nut and 9 piece collet & chuck set.
 To cover imperial shanks additional collets 7-6, 13-12, and 26-25mm are required.

Features

- Includes spanner
- Chuck and collets as listed
- In blow mould case

Product Brochure For C961



Collet	A	B	L	DIN	RANGE (D)
ER11	11.5	18	6	0.02	0.5-7.0
ER16	17	27	10	0.02	0.5-10.0
ER20	21	31	16	0.02	1.0-13.0
ER25	26	35	25	0.02	1.0-16.0
ER32	33	40	40	0.02	2.0-20.0
ER40	41	46	50	0.03	3.0-26.0

Installation Guide - Please see downloads for full details



Recommended Accessories

C118
 Collet Nut - ER40 Ball Bearing Nut

C969
 ER40 Collet Chuck Wrench

C111
 Collet Chuck - NT30 x ER40

C937
 ER40 Collet



Product Brochure For C961

C943
ER40 Collet



C956
ER40 Collet

