

Product Brochure For C922

ER32 Collet Set - 18 Piece

Collet Range Ø2 - Ø20mm

"Made in Taiwan"

Ex GST
\$300.00

Inc GST
\$330.00

ORDER CODE:	C922
Type:	ER32
Pieces in Set (No.):	18
Collet Range:	3-2, 4-3, 5-4, 6-5 & 7-6, 8-7, 9-8, 10-9 & 11-10, 12-11, 13-12 & 14-13, 15-14, 16-15 & 17-16, 18-17, 19-18 & 20-19mm



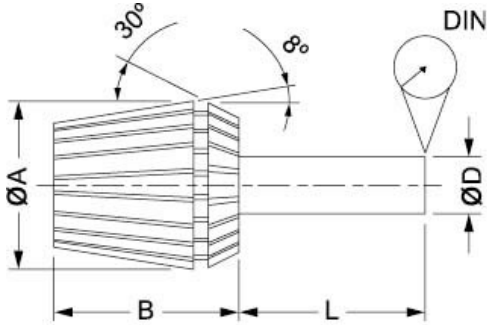
Description

Note: Sets do not include spanner

Features

- Packaged in a blow mould case

Product Brochure For C922



Collet	A	B	L	DIN	RANGE (D)
ER11	11.5	18	6	0.02	0.5-7.0
ER16	17	27	10	0.02	0.5-10.0
ER20	21	31	16	0.02	1.0-13.0
ER25	26	35	25	0.02	1.0-16.0
ER32	33	40	40	0.02	2.0-20.0
ER40	41	46	50	0.03	3.0-26.0

Installation Guide - Please see downloads for full details

1.

2.

3.

